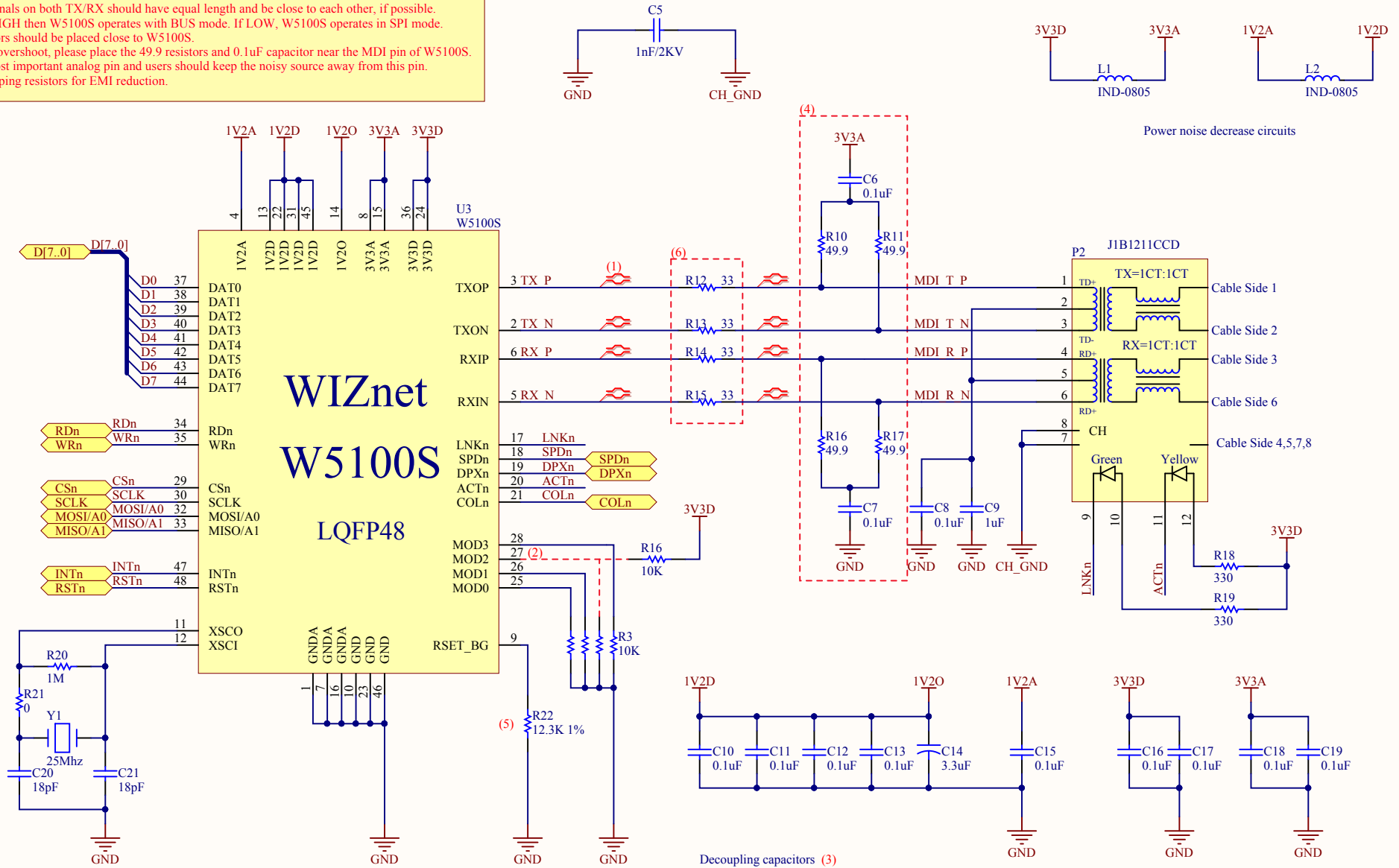


!!!NOTE!!!

- (1) The differential signals on both TX/RX should have equal length and be close to each other, if possible.
- (2) When MOD[2] is HIGH then W5100S operates with BUS mode. If LOW, W5100S operates in SPI mode.
- (3) Decoupling capacitors should be placed close to W5100S.
- (4) To avoid the 100M overshoot, please place the 49.9 resistors and 0.1uF capacitor near the MDI pin of W5100S.
- (5) RSET_BG is the most important analog pin and users should keep the noisy source away from this pin.
- (6) Option - Apply damping resistors for EMI reduction.



Title W5100S Reference Schematic		WIZnet Co., Ltd. 5F, Humax Village Hwangseaul-ro, Bundang-gu Seongnam-si, Gyeonggi-do South Korea		
Size: A4	Number: 51S170301	Revision: R0		
Date: 2017-03-31	Sheet 1 of 1			
Team: Team Wiki	Drawn By: Peter			