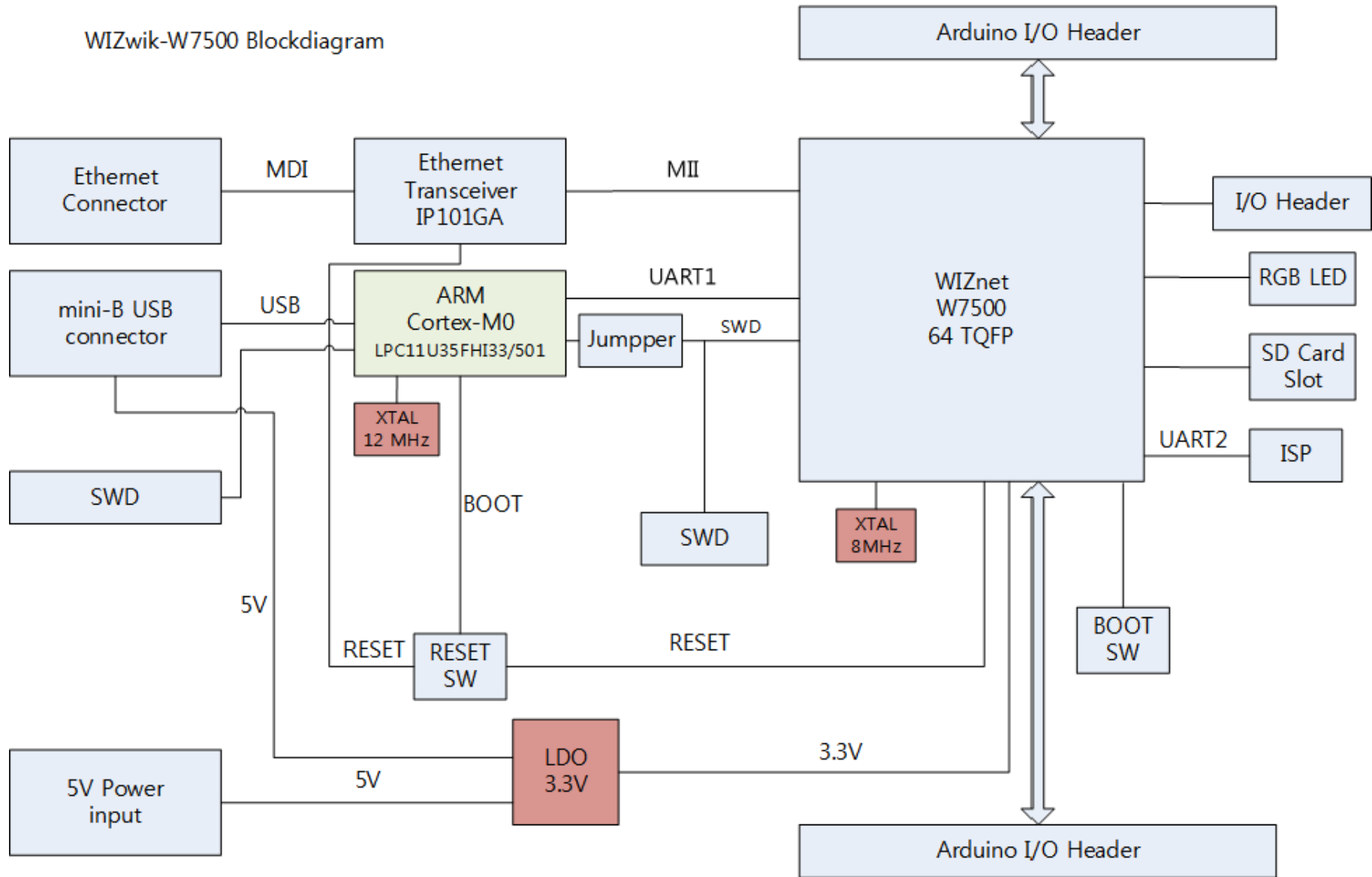
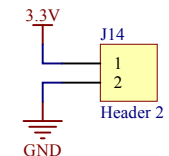
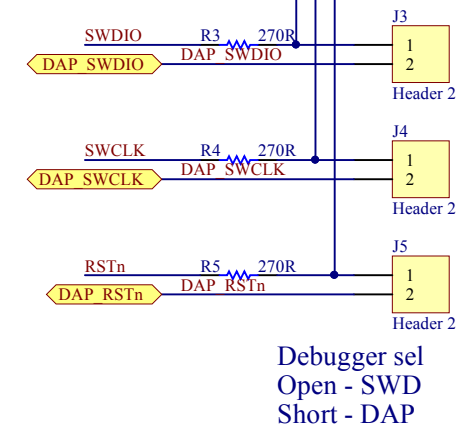
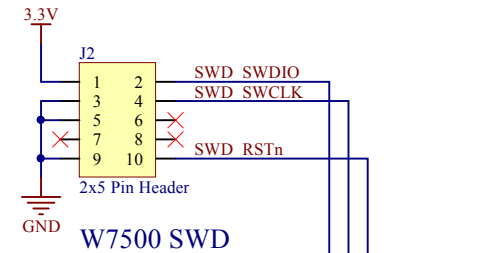
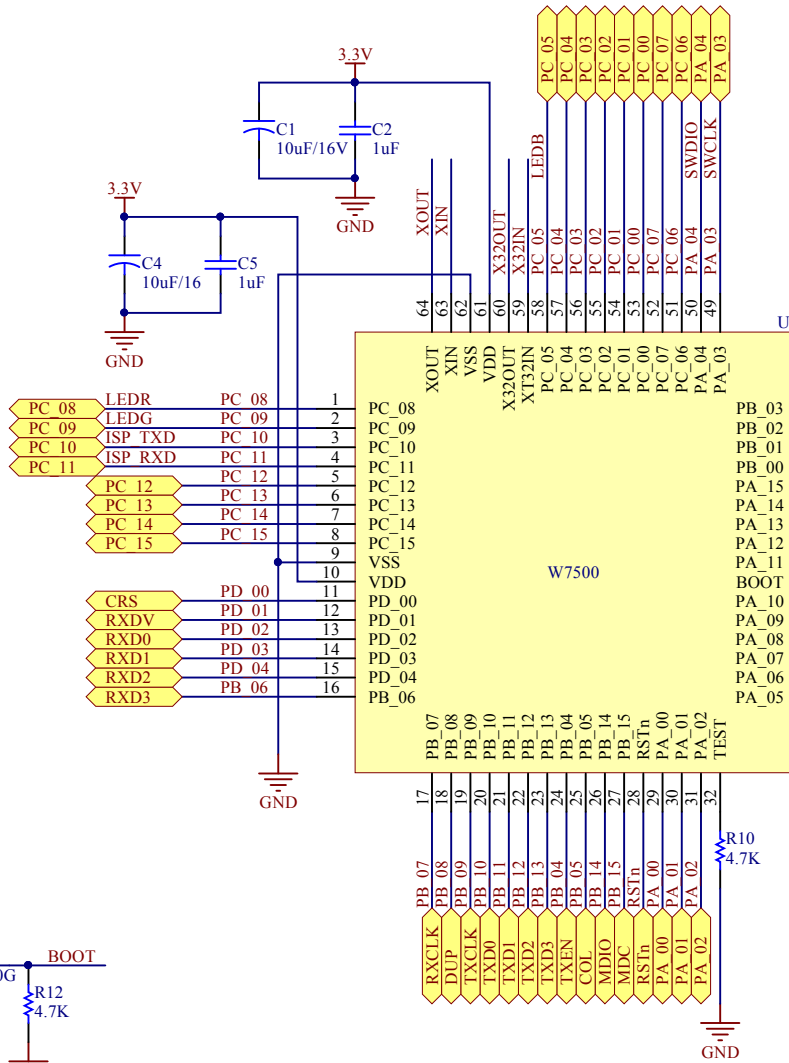
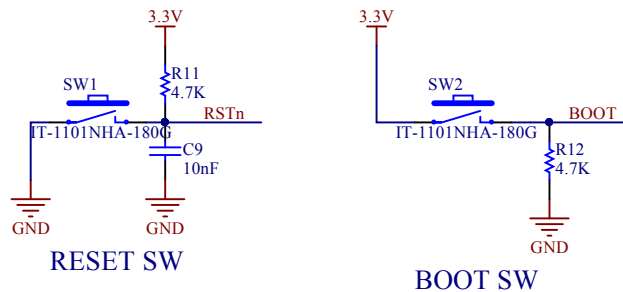
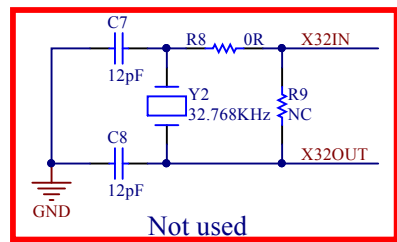
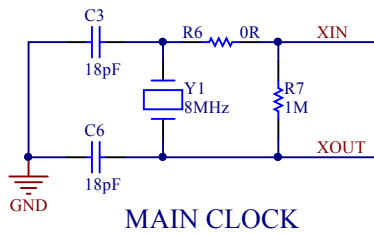
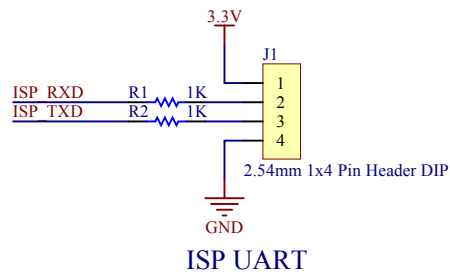


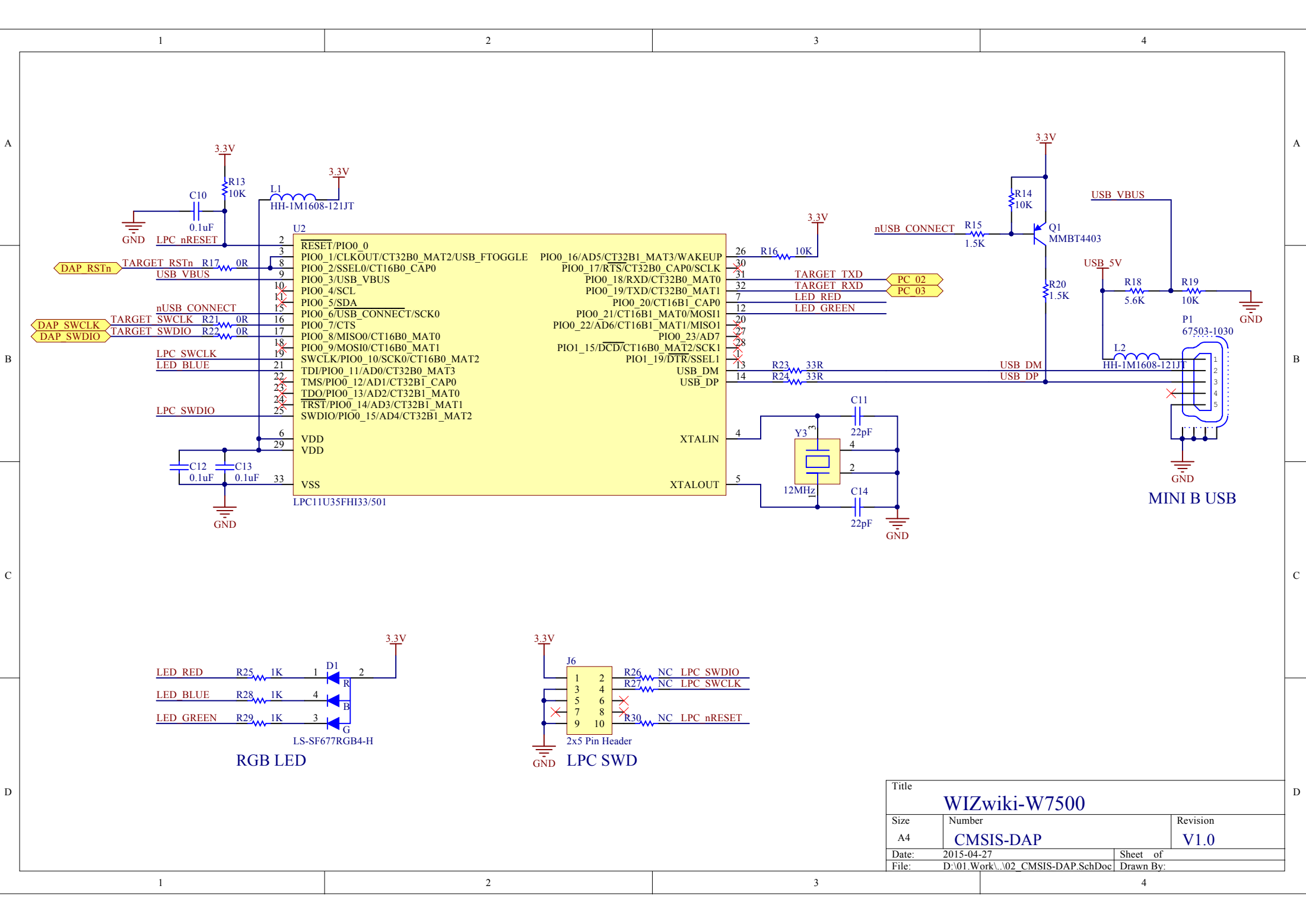
# WIZwik-W7500 Blockdiagram



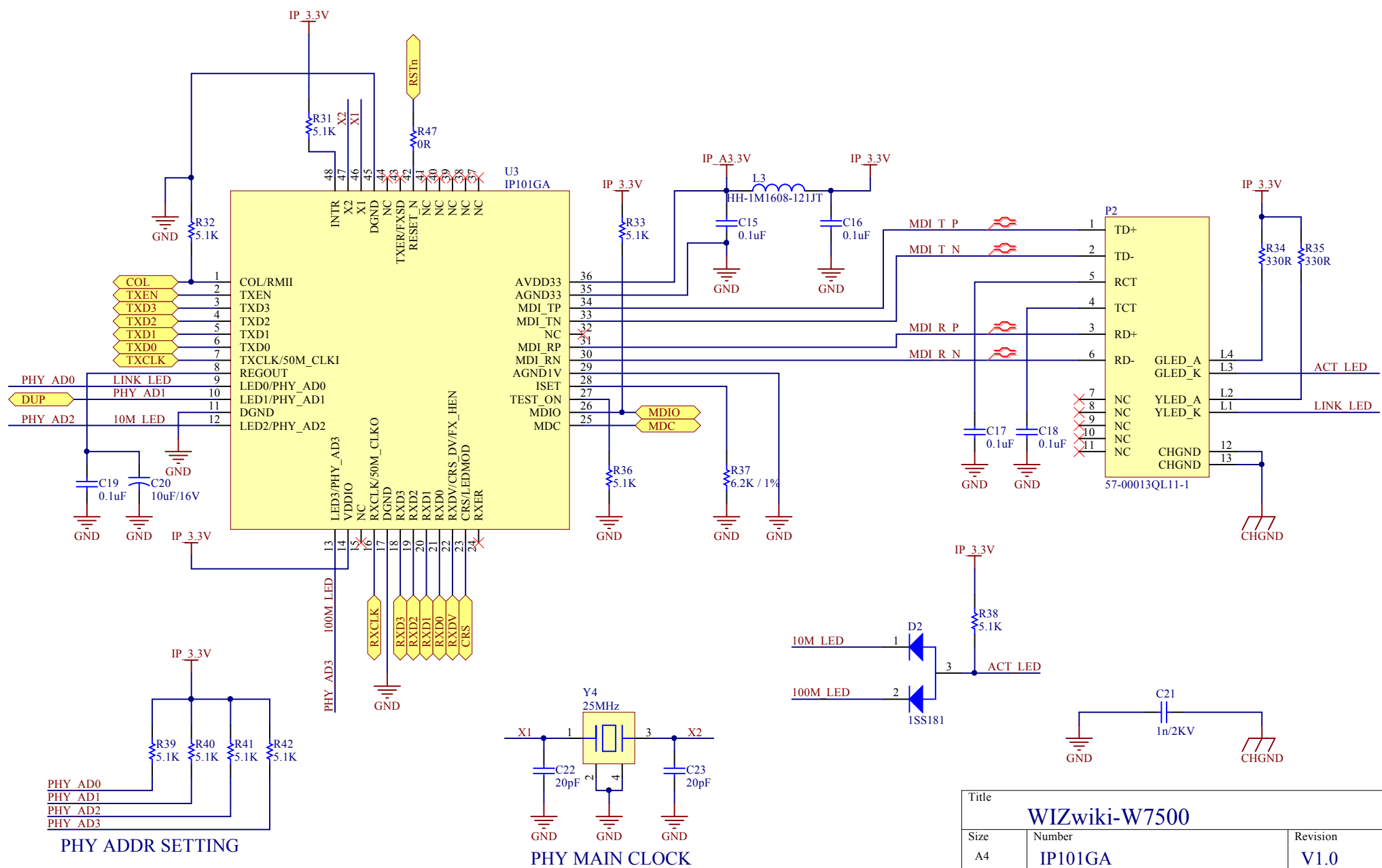
Title			<b>WIZwiki-W7500</b>		
Size	Number	Revision			
A4	<b>Blockdiagram</b>	<b>V1.0</b>			
Date:	2015-04-27	Sheet of			
File:	D:\01.Work\..00_Blockdiagram.SchDoc	Drawn By:			



Title		
<b>WIZwiki-W7500</b>		
Size	Number	Revision
A4	<b>W7500</b>	<b>V1.0</b>
Date:	2015-04-27	Sheet of
File:	D:\01.Work\..01_W7500.SchDoc	Drawn By:



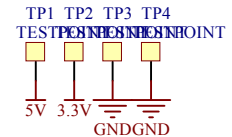
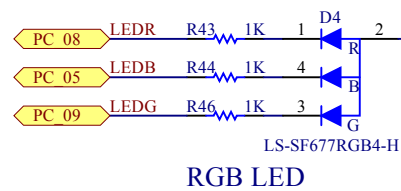
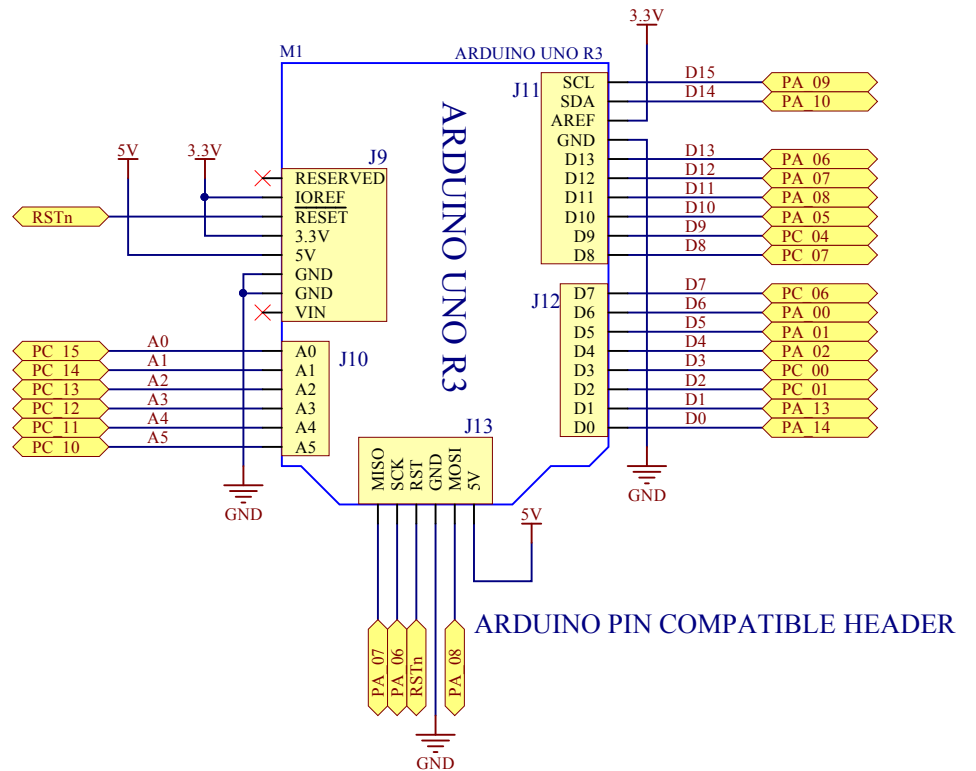
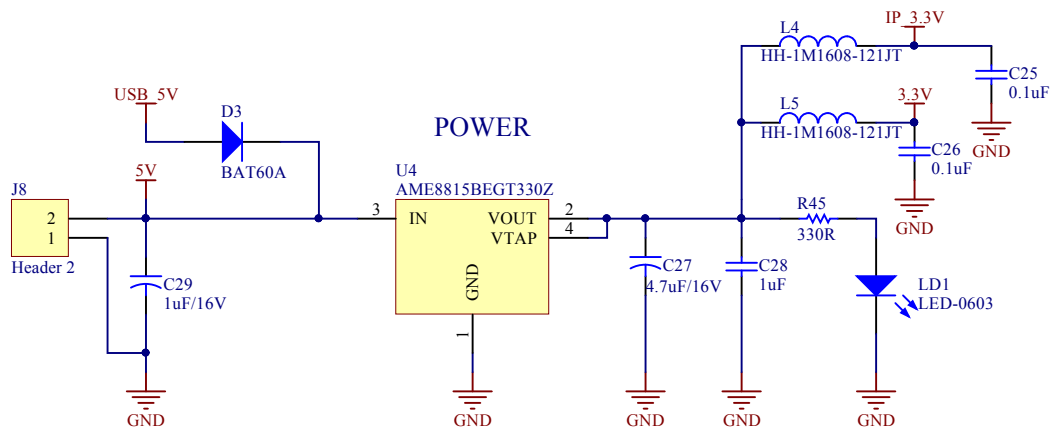
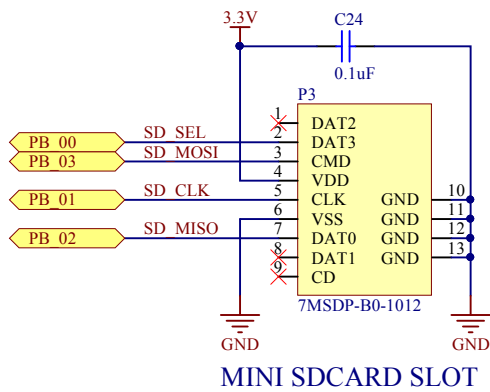
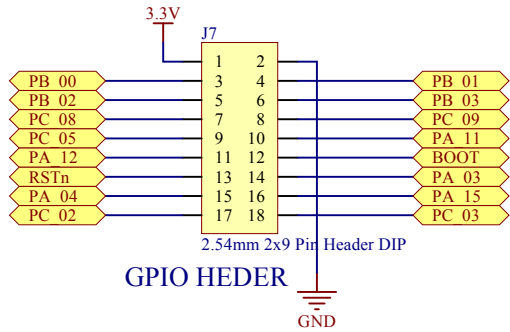
Title			
<b>WIZwiki-W7500</b>			
Size	Number	Revision	
A4	<b>CMSIS-DAP</b>	<b>V1.0</b>	
Date:	2015-04-27	Sheet of	
File:	D:\01.Work\..02_CMSIS-DAP.SchDoc	Drawn By:	



**PHY ADDR SETTING**

**PHY MAIN CLOCK**

Title		
<b>WIZwiki-W7500</b>		
Size	Number	Revision
A4	<b>IP101GA</b>	<b>V1.0</b>
Date:	2015-04-27	Sheet of
File:	D:\01.Work\..03_IP101GA.SchDoc	Drawn By:



Title		
<b>WIZwiki-W7500</b>		
Size	Number	Revision
A4	ETC	V1.0
Date:	2015-04-27	Sheet of
File:	D:\01.Work\..04_ETC.SchDoc	Drawn By: