

Table of Contents

How to install serial driver of WIZwiki-W7500	1
<i>Overview</i>	1
<i>Serial driver installation</i>	1

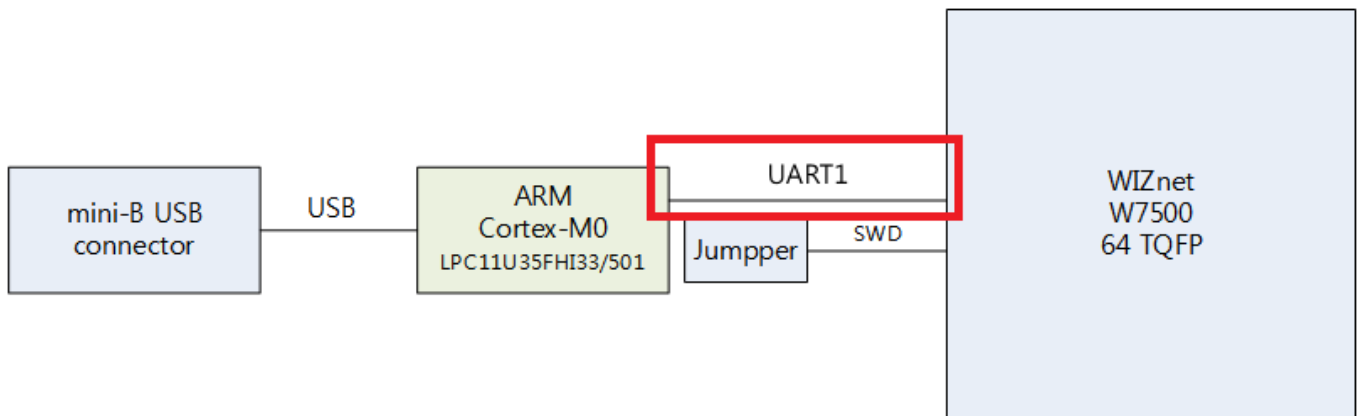
How to install serial driver of WIZwiki-W7500

Overview

CMSIS-DAP of WIZwiki-W7500 has two functions. The first function is firmware writing to the W7500 (Target MCU) using to the USB Interface. And the second function is to receive and transmit data in the UART1 of W7500 using to the USB Interface.

The first function is used without the driver, but the second function is used after install the driver.

CMSIS-DAP Interface of WIZwiki-W7500 is the same as the photo below.



Serial driver installation

The driver is connected to the LINK below, click on the “Download latest driver” can be downloaded.

[ARM mbed Window serial configuration PAGE](#)

If the driver is successfully installed, serial port that is created by “mbed Seral Port (COMn)” in Device Manager.

From:
<http://wizwiki.net/wiki/> -

Document Wiki

Permanent link:

http://wizwiki.net/wiki/doku.php/products:wizwiki_w7500:start_getting_started:serial_driver_wizwiki-w7500?rev=1430360331

Last update: 2015/04/30 11:18

