

Table of Contents

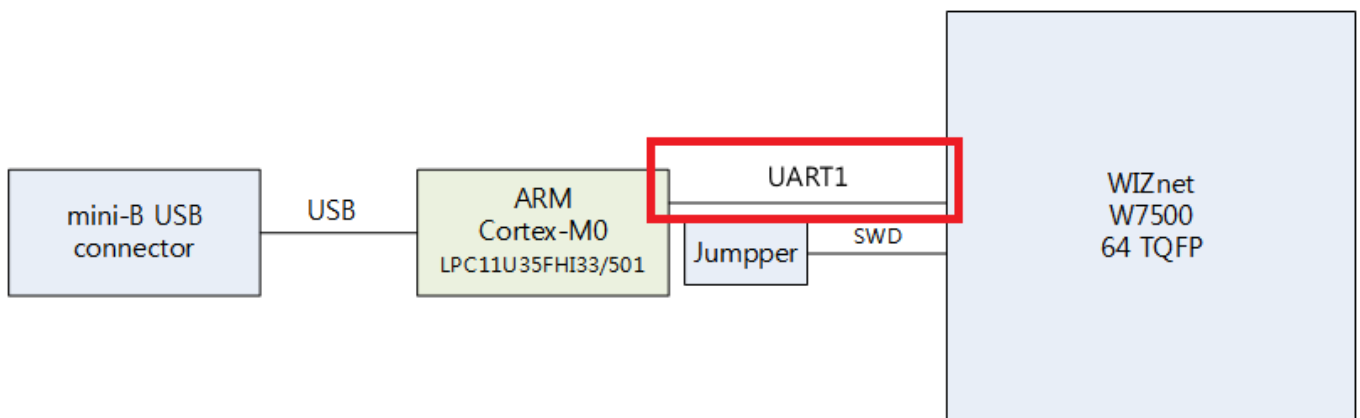
How to install WIZwiki-W7500 serial driver	1
Overview	1
Serial driver installation	1

How to install WIZwiki-W7500 serial driver

Overview

CMSIS-DAP of WIZwiki-W7500 has two functions. The first function is firmware writing to the W7500 (Target MCU) through USB Interface. The second function is to receive and transmit data in the UART1 of W7500 using the USB Interface.

The first function is used without the driver, but the second function is used after install the driver. CMSIS-DAP Interface of WIZwiki-W7500 has shows as the photo below.



Serial driver installation

The driver could be found on the LINK below, click on the “Download latest driver” can download the latest driver.

[ARM mbed Window serial configuration PAGE](#)

If the driver is successfully installed, serial port that is created as “mbed Seral Port (COMn)” in Device Manager.

From:
<https://wizwiki.net/wiki/> -

Document Wiki

Permanent link:
https://wizwiki.net/wiki/doku.php/products:wizwiki_w7500:start_getting_started:serial_driver_wizwiki-w7500

Last update: 2015/05/20 15:51

