

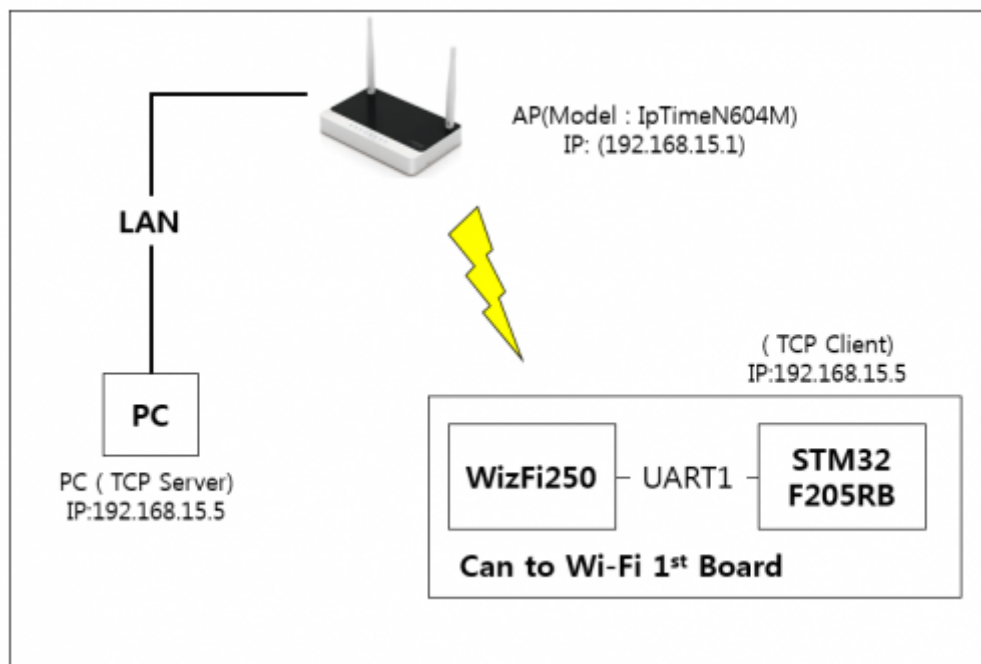
Table of Contents

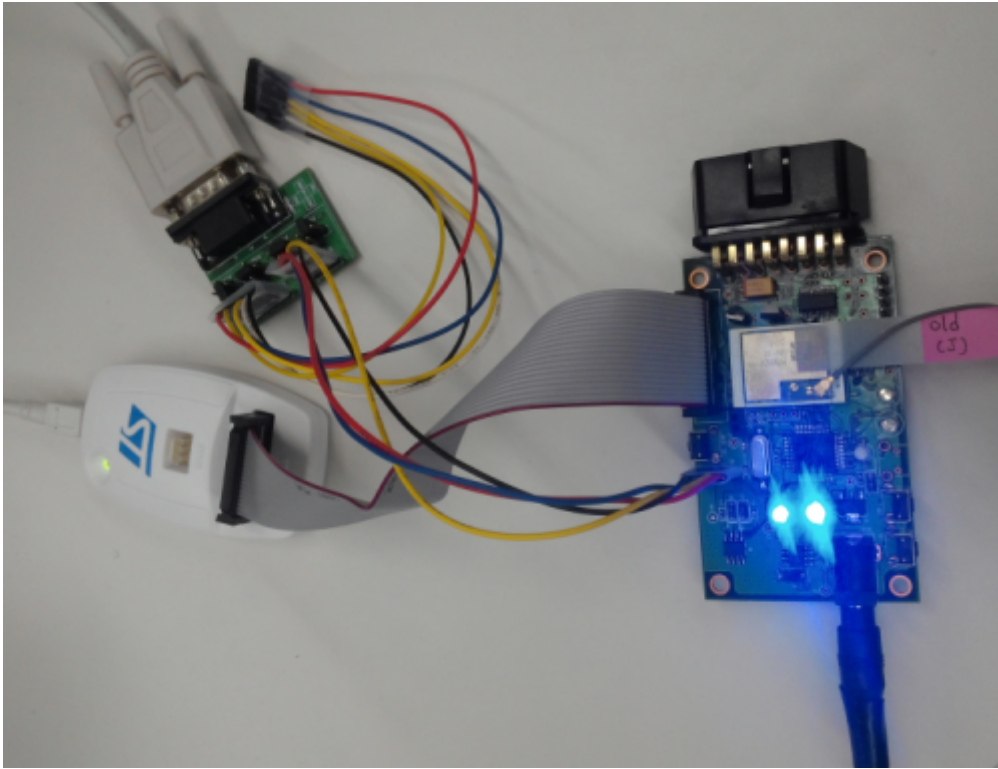
Appendix	1
<i>WizFi250 UART Throughput Test Report</i>	1
Test Environment	1
Test Result	2

Appendix

WizFi250 UART Throughput Test Report

Test Environment





Test Result

1. Send 10Mbyte data to PC

Baud rate	Time (Using Command Mode)	Speed(bit/s)	Flow Control
3686400	47s	1.74M	H/W
1843200	1m 20s	1.00M	H/W
921600	2m 20s	585K	H/W

2. Send 1Mbyte data to PC

Baud rate	Data Mode		Command Mode		Flow Control
	Time	Speed(bit/s)	Time	Speed(bit/s)	
3686400	24s	341K	5s	1.63M	H/W
1843200	25s	327K	6s	1.36M	H/W
921600	26s	315K	12s	682K	H/W
115200	1m 35s	86K	1m 36s	85K	H/W

- Command Mode : To sending data, WizFi250 have to use AT+SSEND command.
- Data Mode : Data Mode is the mode which passes data of application layers to peer-device directly, without commands.
- For more information, Refer to [Command mode & Data mode](#).

2014/03/20 17:09 · kaizen

From:

<https://wizwiki.net/wiki/> -

Document Wiki

Permanent link:

<https://wizwiki.net/wiki/doku.php/products:wizfi250:wizfi250pg:appendix>

Last update: 2015/03/16 10:33

