

# Table of Contents

<b>WIZ550S2E Datasheet</b> .....	1
<b>Overview</b> .....	1
<b>Hardware Specification</b> .....	1
WIZ550S2E .....	1
WIZ550S2E-232 Interface board .....	2
WIZ550S2E-485/422 Interface board .....	3
<b>Characteristic</b> .....	4
<b>Schematic</b> .....	5
<b>Dimension</b> .....	6
WIZ550S2E .....	6
WIZ550S2E-232 Interface board .....	6
WIZ550S2E-485/422 Interface board .....	7

# WIZ550S2E Datasheet

## Overview

This page provides information about the hardware description of WIZ550S2E base on RS232 & RS422/485 Interface board as following:

- Basic Hardware Specification
- Operating Characteristics
- Reference Schematics
- Dimension information

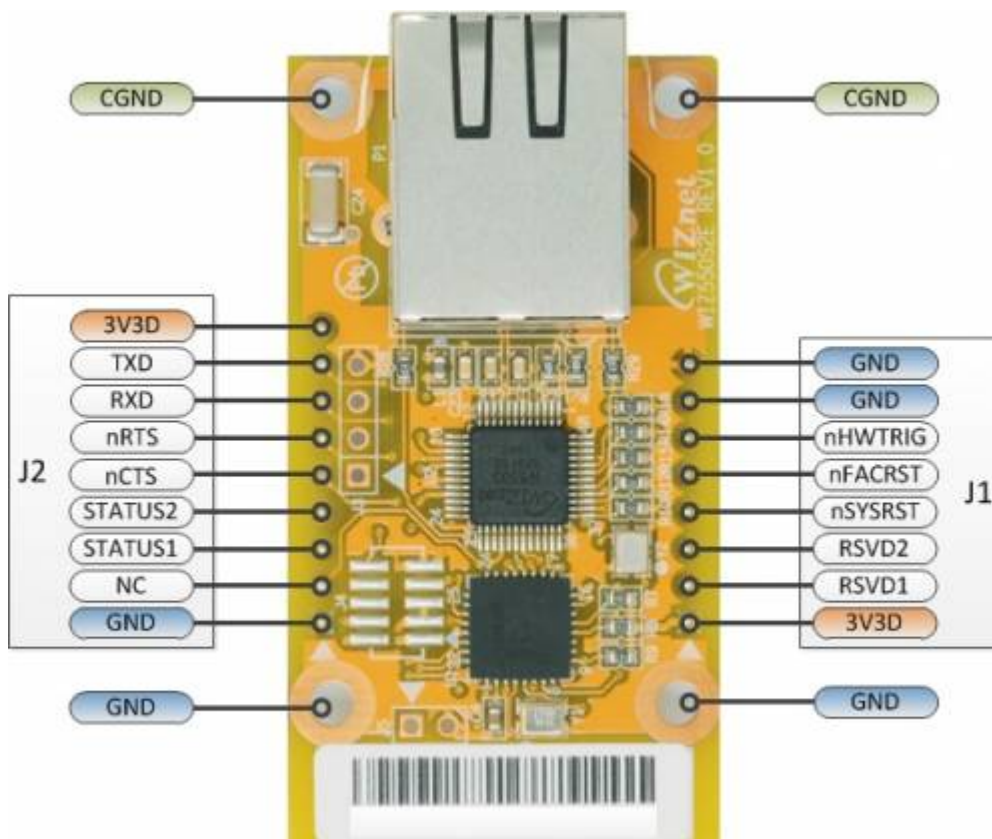
The revision history will be updated in this page in case of any changes of hardware specification or exterior design.

2014/07/29 08:57 · [jameskim](#)

## Hardware Specification

### WIZ550S2E

- MCU LPC11E36FHN33
- TCP/IP Controller W5500
- RJ45(Integrated Transformer)
- 2.54mm Header x2



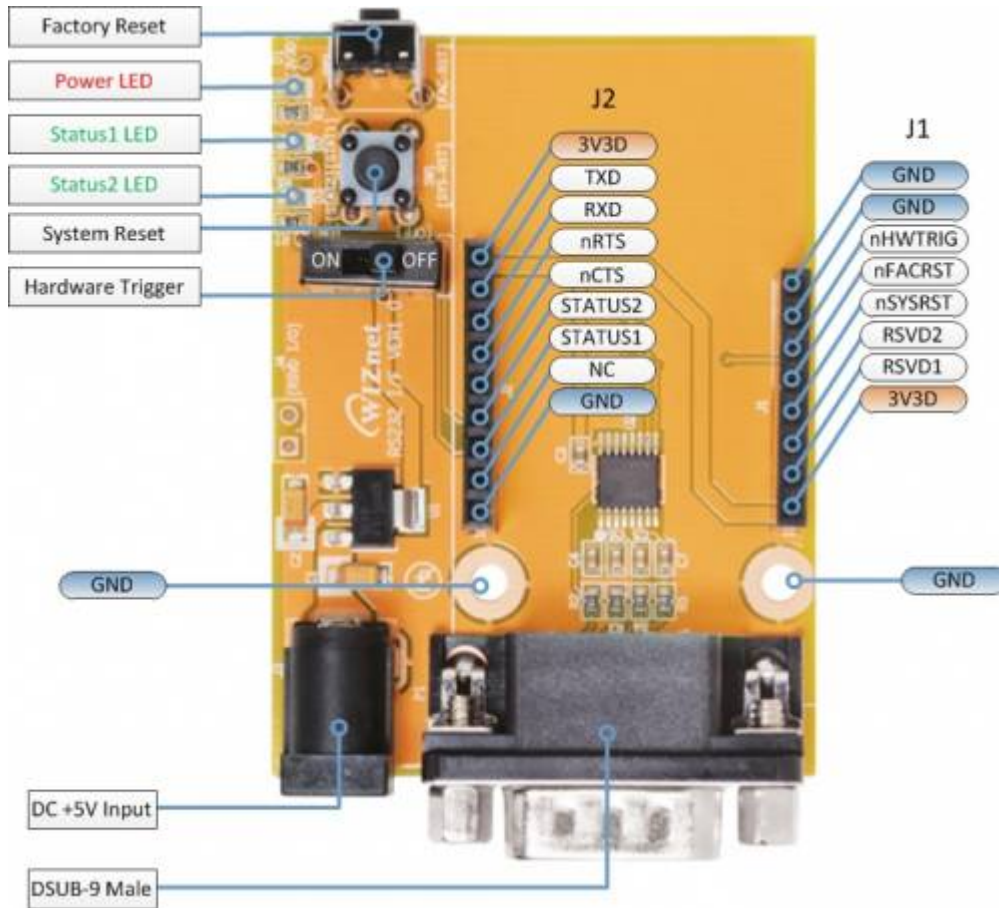
## Pin Description

Ref No.	Pin No.	Symbol	Type	Description
J1	1	3V3D	P	Supply DC+3.3V
	2	RSVD1	I/O	Reserved I/O
	3	RSVD2	I/O	Reserved I/O
	4	nSYRST	I	System reset input. Active Low.
	5	nFACRST	I	Factory reset. Active Low > 5sec. Changing the settings of the module to the default value
	6	nHWTRIG	I	Hardware Trigger input Active Low.
	7	GND	P	Power Ground
	8	GND	P	Power Ground

Ref No.	Pin No.	Symbol	Type	Description
J2	1	GND	P	Power Ground
	2	NC	-	No connection
	3	STATUS1	O	Output for LED Display High and low once a second when operating
	4	STATUS2	O	Output for LED Display Low when operating
	5	nCTS	I	Clear To Send input for UART
	6	nRTS	O	Request To Send output for UART. This pin also serves as the RS485 control.
	7	RXD	I	Receiver input for UART
	8	TXD	O	Transmitter output for UART
	9	3V3D	P	Supply DC+3.3V

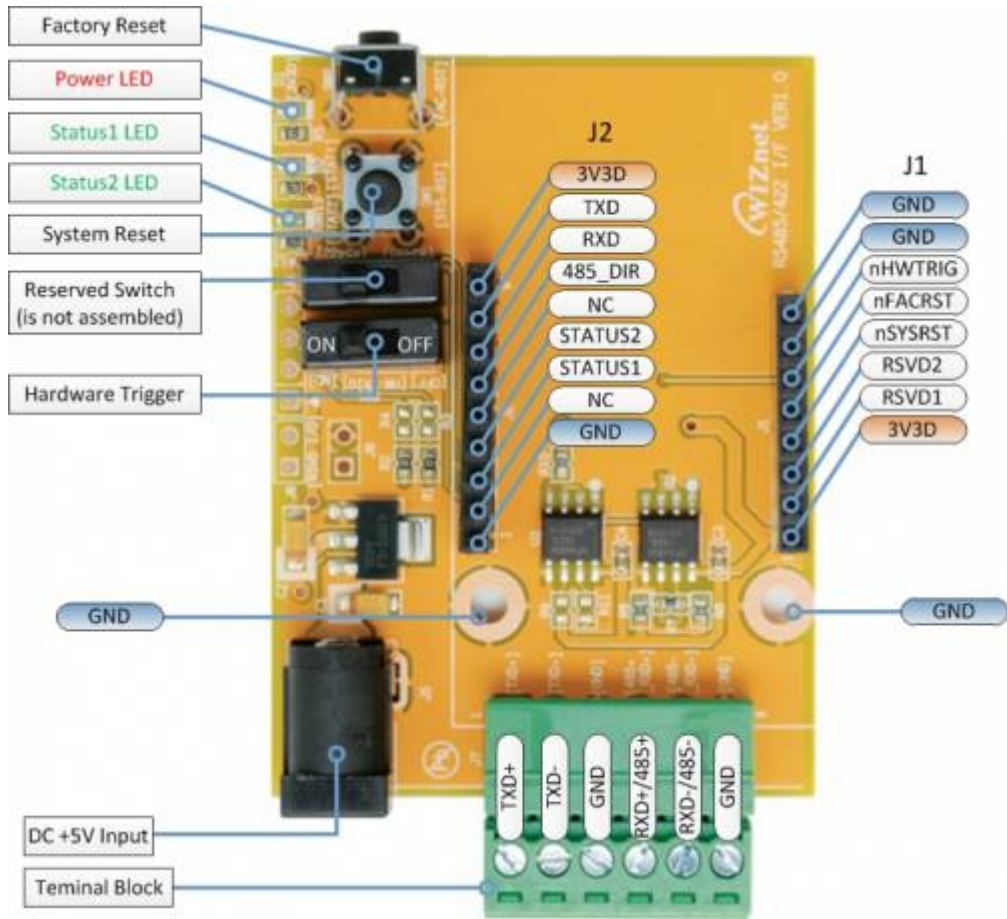
## WIZ550S2E-232 Interface board

- Line Driver SP3232EBEY
- System Reset Switch
- Factory Reset Switch
- Hardware-Trigger Mode Switch
- Status LEDs
- DC-Jack (for +5V Input Power)



## WIZ550S2E-485/422 Interface board

- Line Driver SP3485EN
- System Reset Switch
- Factory Reset Switch
- Hardware-Trigger Mode Switch
- Status LEDs
- DC-Jack (for +5V Input Power)



2014/07/29 09:01 · [jameskim](#)

## Characteristic

### WIZ550S2E

<b>Input Power</b>	DC +3.3V
<b>Current Consumption</b>	140mA(Typ.)
<b>Operating Temperature</b>	-40 ~ 85 °C

### WIZ550S2E-232-EVB

<b>Input Power</b>	DC +5V (Plug type: Outdiameter 5.5Pi - Caliber 2.1Pi)
<b>Current Consumption(connected with WIZ550S2E)</b>	154mA(Max.)

<b>Operating Temperature</b>	-40 ~ 85 °C
------------------------------	-------------

**WIZ550S2E-485/422-EVB**

<b>Input Power</b>	DC +5V (Plug type: Outdiameter 5.5Pi - Caliber 2.1Pi)
<b>Current Consumption(connected with WIZ550S2E)</b>	179mA(Max.)@RS422Mode, 157mA(Max.)@RS485Mode
<b>Operating Temperature</b>	-40 ~ 85 °C

2014/07/29 16:39 · sam

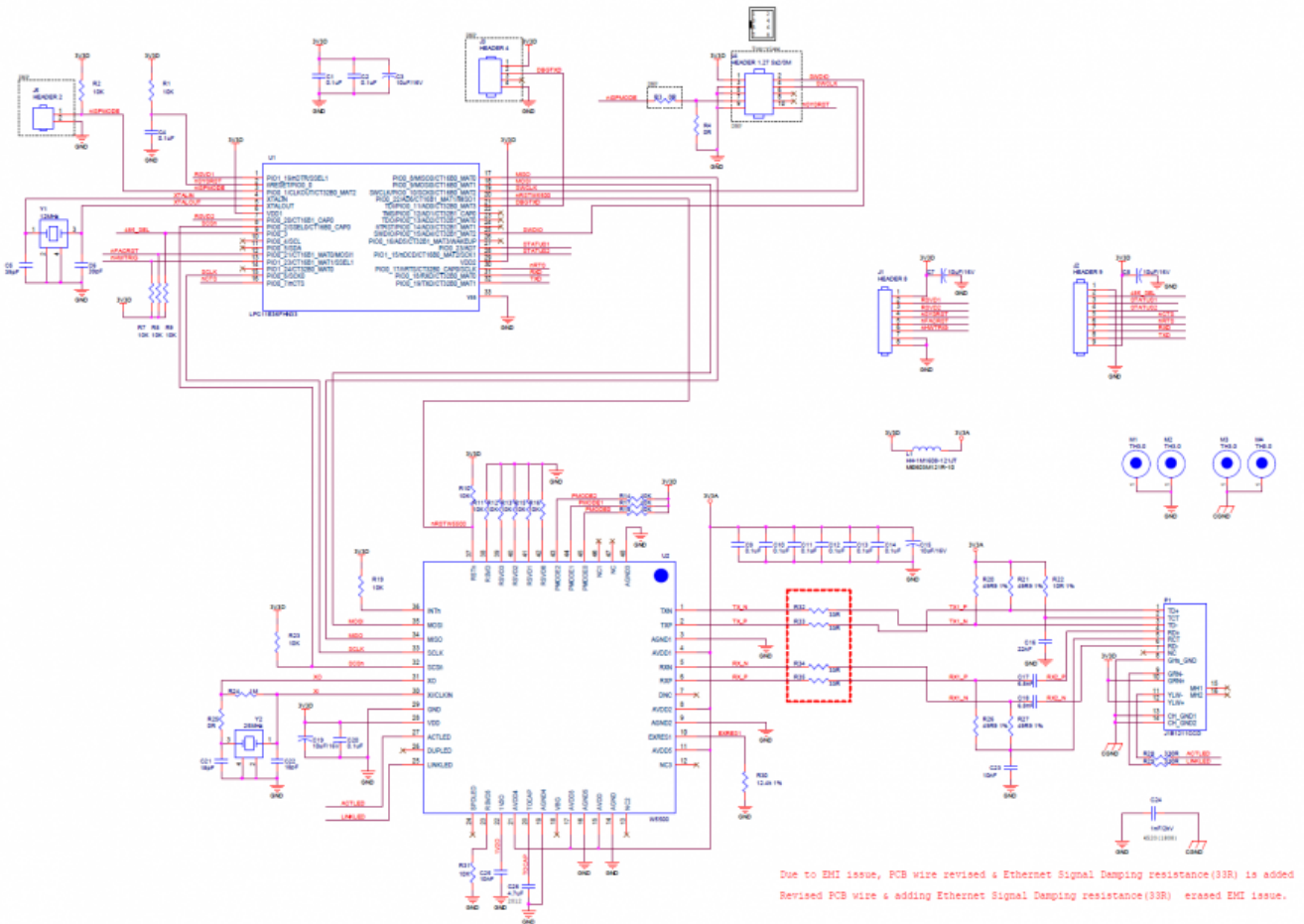
**Schematic**

Item	Version	Schematic(PDF)
WIZ550S2E	1.1/1.2	<a href="#">Schematic_PDF</a>
WIZ550S2E-232 interface board	1.0	<a href="#">rs232if_v1_0.pdf</a>
WIZ550S2E-485/422 interface board	1.0	<a href="#">rs485-422if_v1_0.pdf</a>

Item	Version	Partlist	PCB
WIZ550S2E	1.1	Partlist_PDF	WIZ550S2E_v1.1_PCB
WIZ550S2E	1.2		WIZ550S2E_v1.2_PCB

- Rev 1.1 Update Schematic

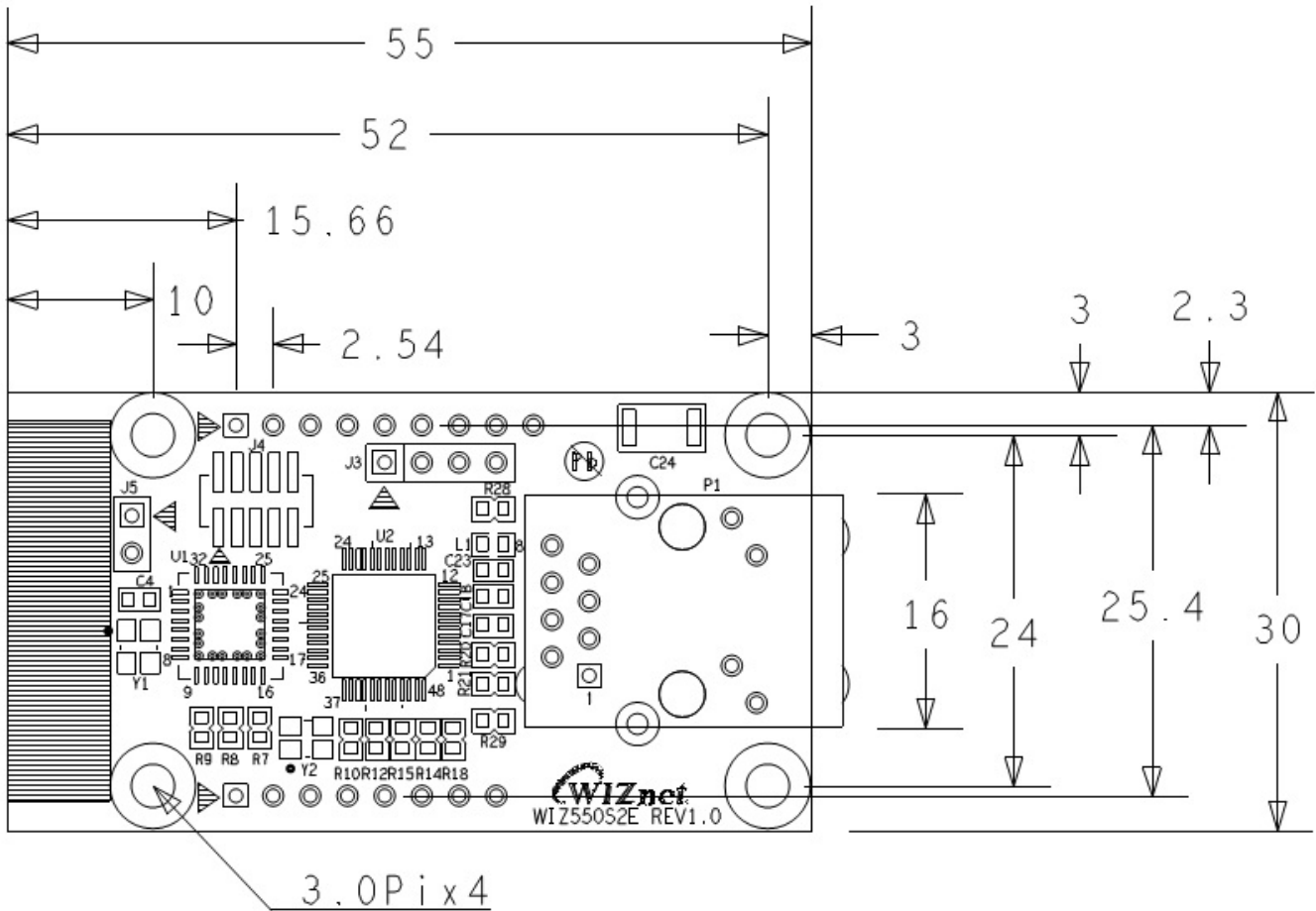


2014/07/29 09:03 · jameskim

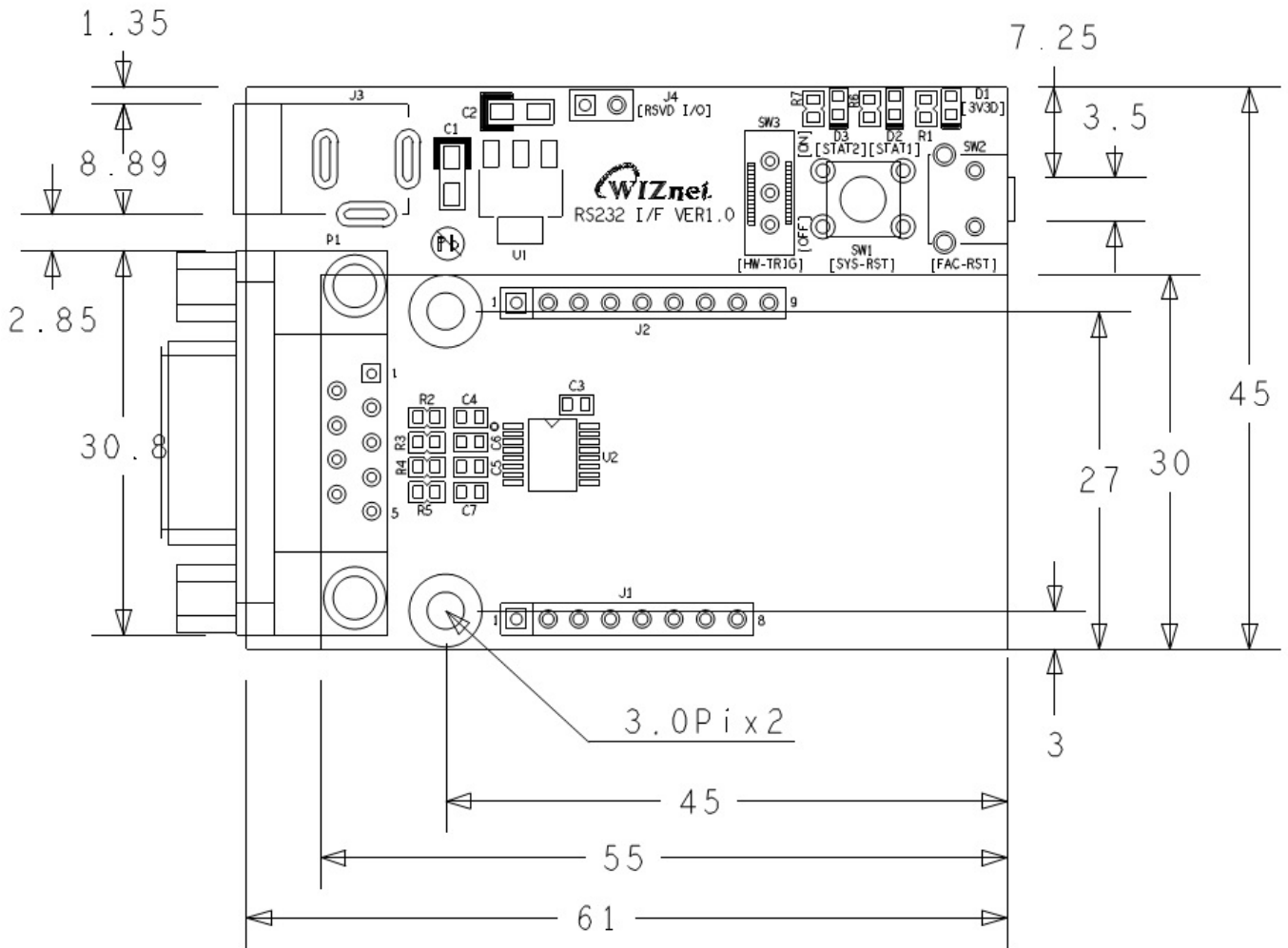
# Dimension

(Unit: mm)

## WIZ550S2E

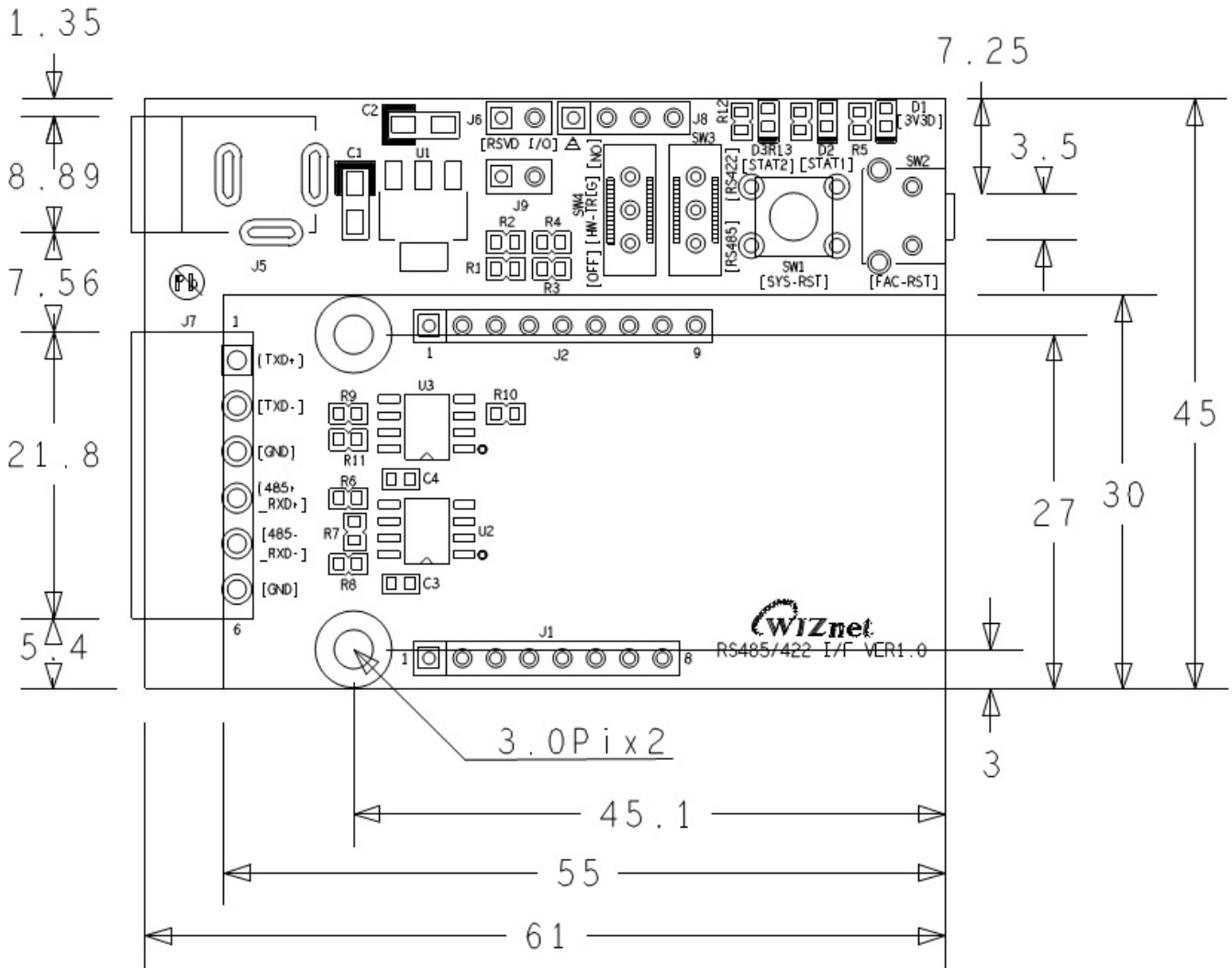


## WIZ550S2E-232 Interface board



**WIZ550S2E-485/422 Interface board**





2014/07/29 09:05 · jameskim

From:  
<http://wizwiki.net/wiki/> -

## Document Wiki

Permanent link:  
[http://wizwiki.net/wiki/doku.php/products:wiz550s2e:wiz550s2eds\\_en](http://wizwiki.net/wiki/doku.php/products:wiz550s2e:wiz550s2eds_en)

Last update: 2015/03/23 10:03

