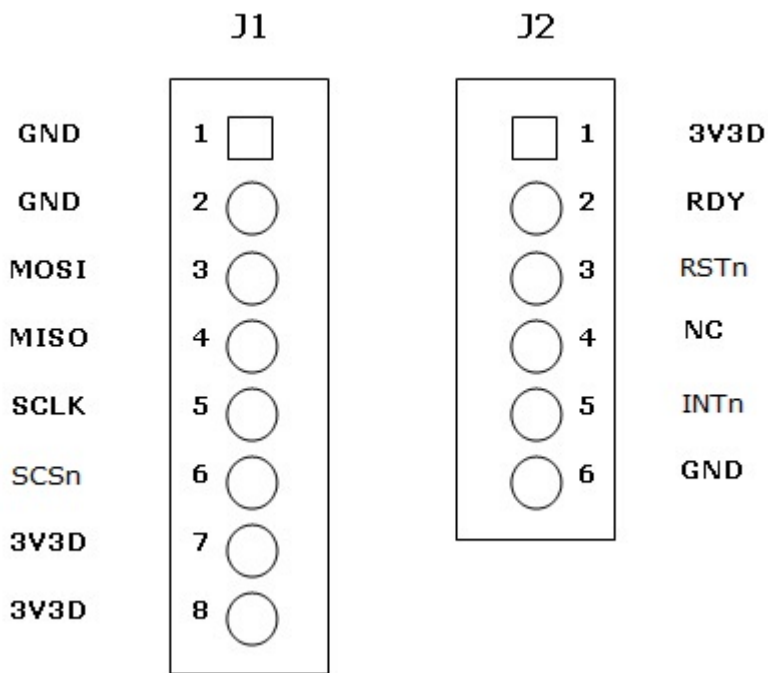


Table of Contents

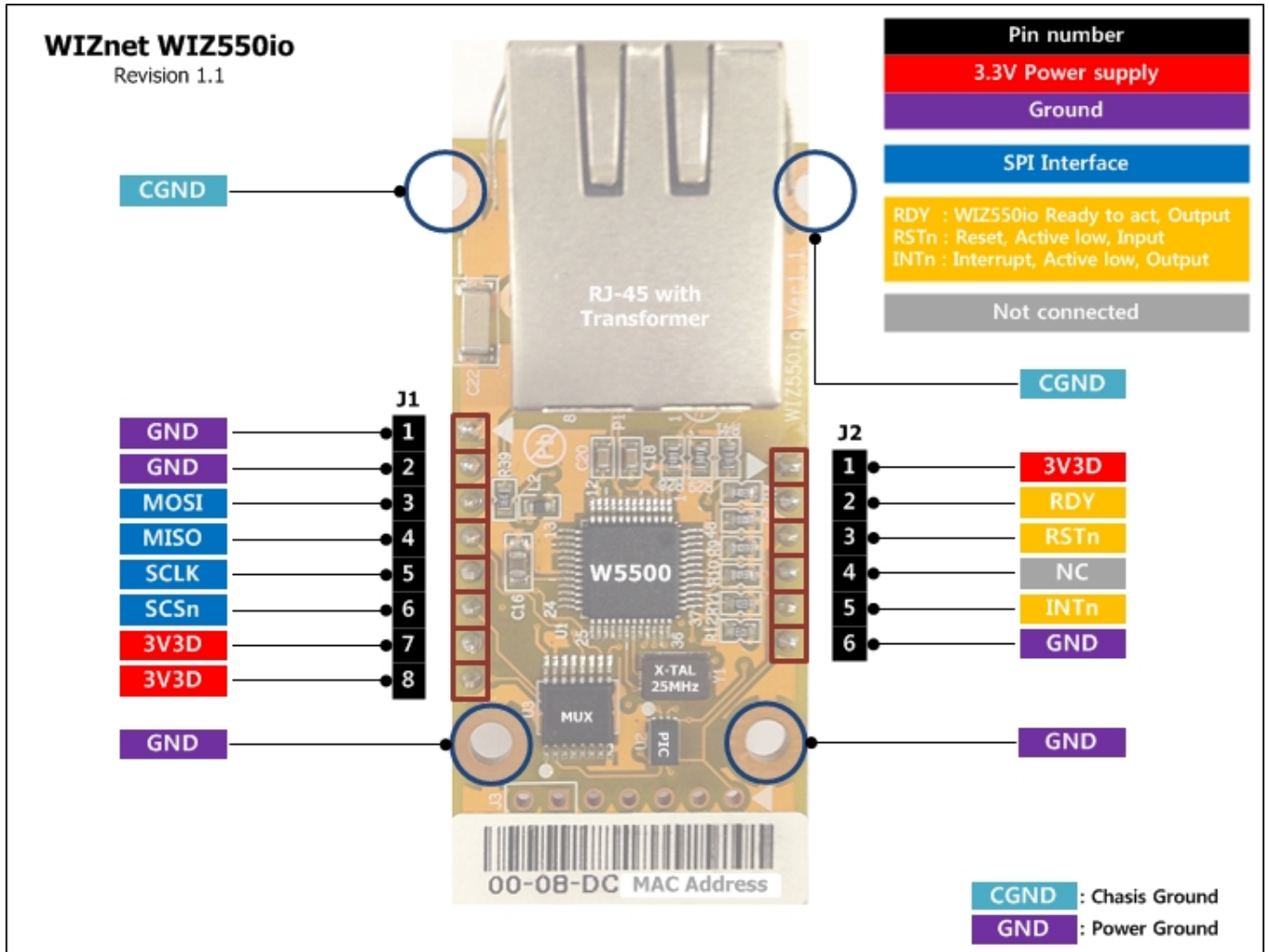
Hardware Pins of WIZ550io	1
Pin Map	1
Pin out	1
Pin Description	2

Hardware Pins of WIZ550io

Pin Map



Pin out



Revision 1.2 version pinout is same to revision1.1 version.

Pin Description

Pin No.	I/O	Pin Name	Description
J1	1	P GND	Ground
	2	P GND	Ground
	3	I MOSI	SPI Master Out Slave In This pin is used for SPI MOSI signal pin
	4	O MISO	SPI Master In Slave Out This pin is used for SPI MISO signal pin
	5	I SCLK	SPI Clock This pin is used for SPI Clock Signal pin
	6	I SCSn	SPI Slave Select This pin is used for SPI Slave Select Signal Pin when using SPI interface
	7	P 3V3D	Power: 3.3V Power Supply
	8	P 3V3D	Power: 3.3V Power Supply

Pin No.	I/O	Pin Name	Description
J2	1	P	3V3D Power: 3.3V Power Supply
	2	O	RDY READY This pin is asserted to low after power on. When RSTn is activated, WIZ550io does auto configuration with embedded MAC and default IP address. After configuration gets completed, WIZ550io raises this pin to HIGH in order to inform about the completion of WIZ550io's configuration. Host processor can only control WIZ550io when RDY pin is HIGH.
	3	I	RSTn Reset: Low activity This pin is to initialize WIZ550io. Hold at least 500us after asserted to LOW and wait for at least 150ms after it is changed to HIGH until WIZ550io configured itself.
	4	I	NC Not Connected
	5	O	INTn Interrupt: Low activity This pin indicates that W5500 inside WIZ550io requires MCU's due to events like socket connection, disconnection, data receiving timeout and WOL (Wake on Lan). The interrupt is cleared by writing IR register or Sn_IR. All interrupts are maskable.
	6	P	GND Ground

Caution)

Some users may want to reinitialize W5500 inside WIZ550io with SW reset, not handling RSTn pin. It will make WIZ550io hang up due to clearance of all information in the registers of W5500. A tiny MCU inside WIZ550io initializes W5500 with embedded MAC address and a default IP address and Initialization is triggered by RSTn.

In case of SW reset, all registers in W5500 will be cleared and WIZ550io will not initialize itself. All information inside WIZ550io will be lost and WIZ550io will hang up instead.

Therefore, we recommend HW reset instead of SW reset. Nevertheless, if users want to use SW reset, we recommend to save MAC address and network information including IP address, Subnet mask and Gateway address before SW reset, and writing those information to WIZ550io after SW reset.

From:

<http://wizwiki.net/wiki/> -

Document Wiki

Permanent link:

<http://wizwiki.net/wiki/doku.php/products:wiz550io:hardware>

Last update: 2016/12/22 10:17

