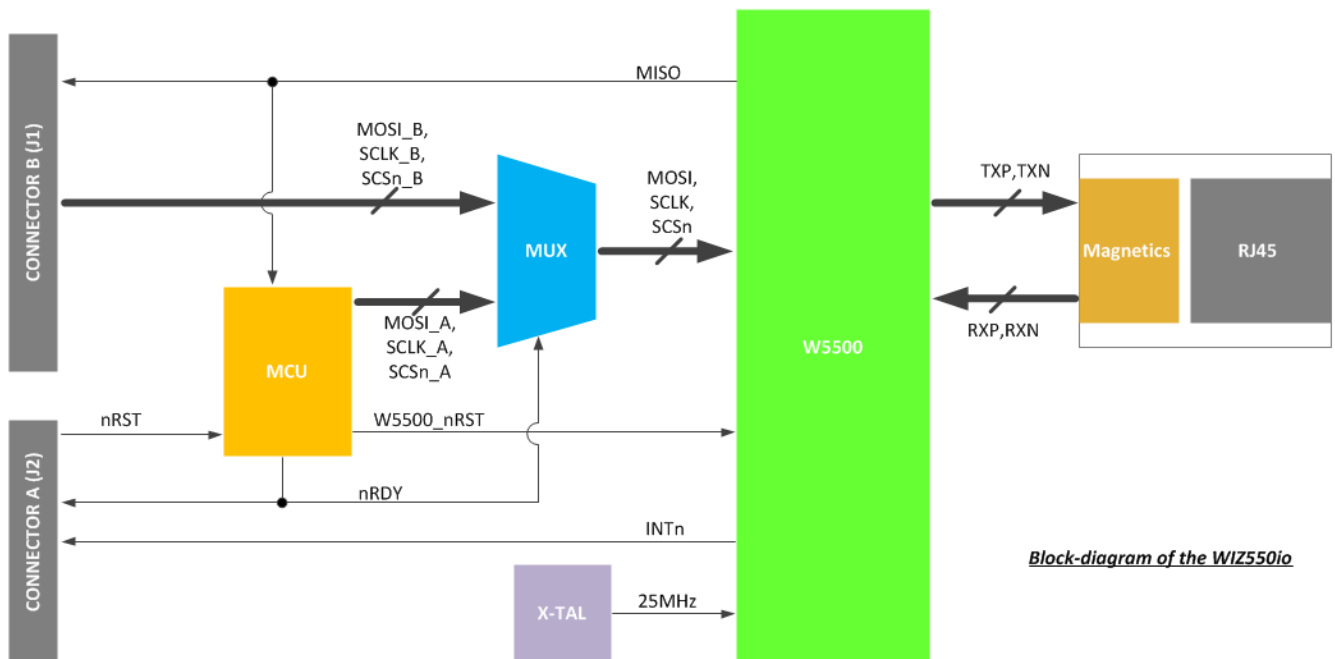


Table of Contents

Block Diagram	1
Schematic	1
PCB	1
Partlist	1

Block Diagram



Schematic

- Revision 1.0 [WIZ550io Rev1.0 Schematic](#)
- Revision 1.1 [WIZ550io Rev1.1 Schematic](#)
- Revision 1.2/1.3 [WIZ550io Rev1.2/1.3 Schematic](#)

PCB

- Revision 1.2 [WIZ550io Rev1.2 PCB\(Altium\)](#)
- Revision 1.3 [WIZ550io Rev1.3 PCB\(Altium\)](#)

Partlist

- Revision 1.0 Partlist [WIZ550io Rev1.0 Partlist](#)
- Revision 1.1 Partlist [WIZ550io Rev1.1 Partlist](#)
- Revision 1.2 Partlist [WIZ550io Rev1.2 Partlist](#)

From:
<https://wizwiki.net/wiki/> -

Document Wiki

Permanent link:
https://wizwiki.net/wiki/doku.php/products:wiz550io:block_sch

Last update: 2018/08/23 10:28



