

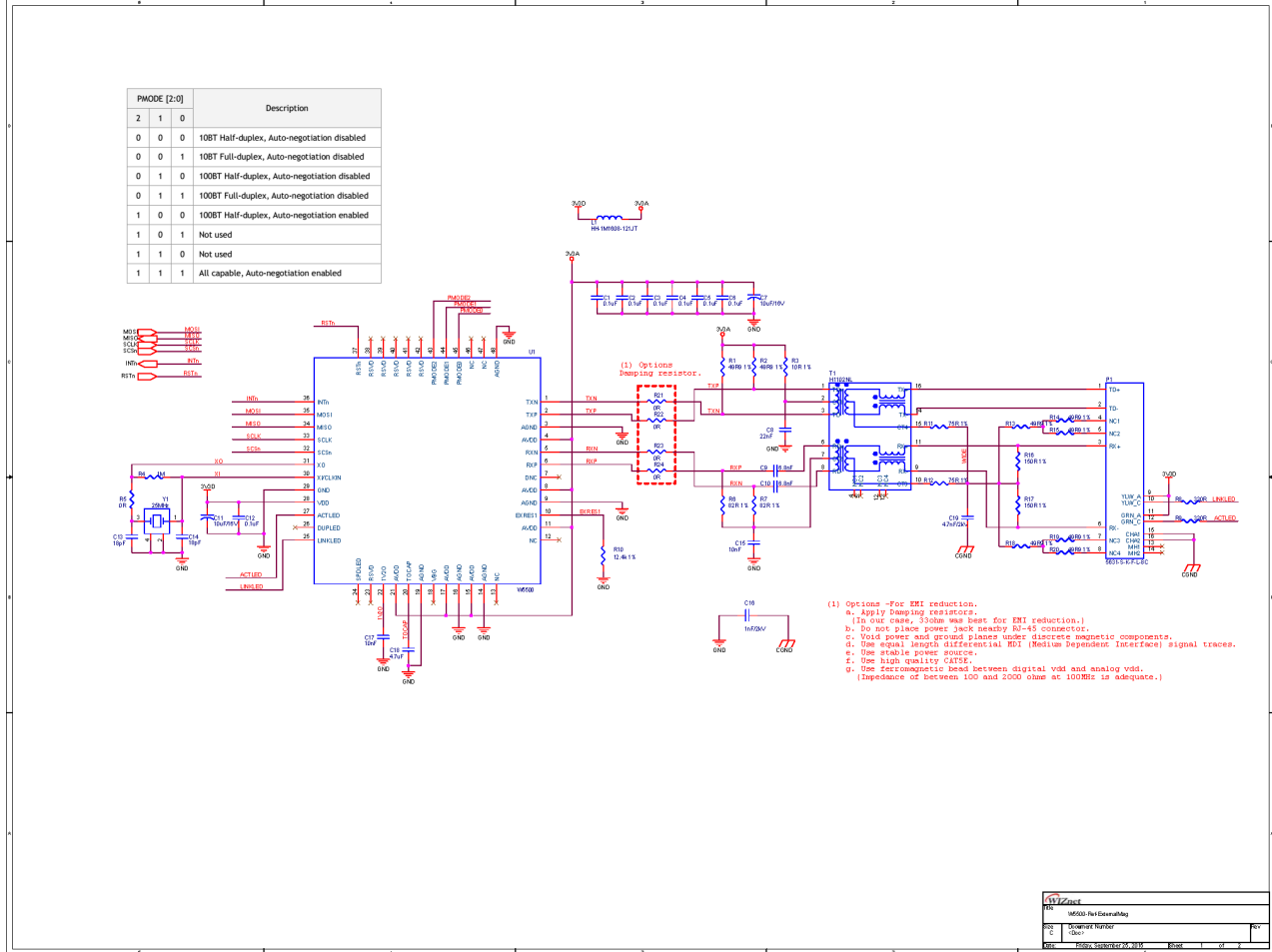
Table of Contents

Reference Schematic	1
<i>External Transformer Type</i>	1
<i>RJ45 with Transformer Type</i>	1
<i>RJ45 with integrated Transformer and connected CT</i>	2
<i>Recommended RJ45 using W5500</i>	3

Reference Schematic

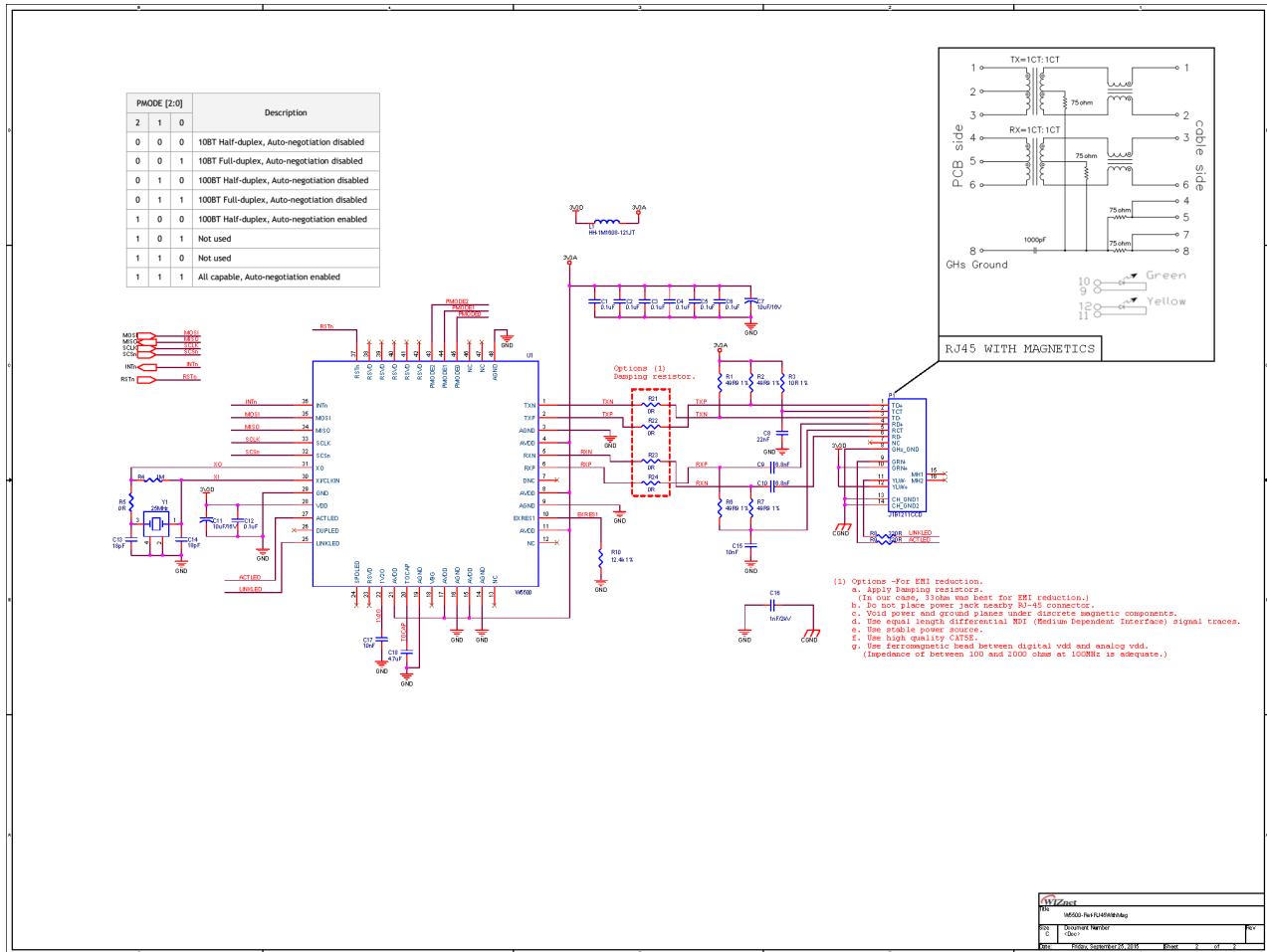
External Transformer Type

W5500 Ref.Schematic - External Transformer



RJ45 with Transformer Type

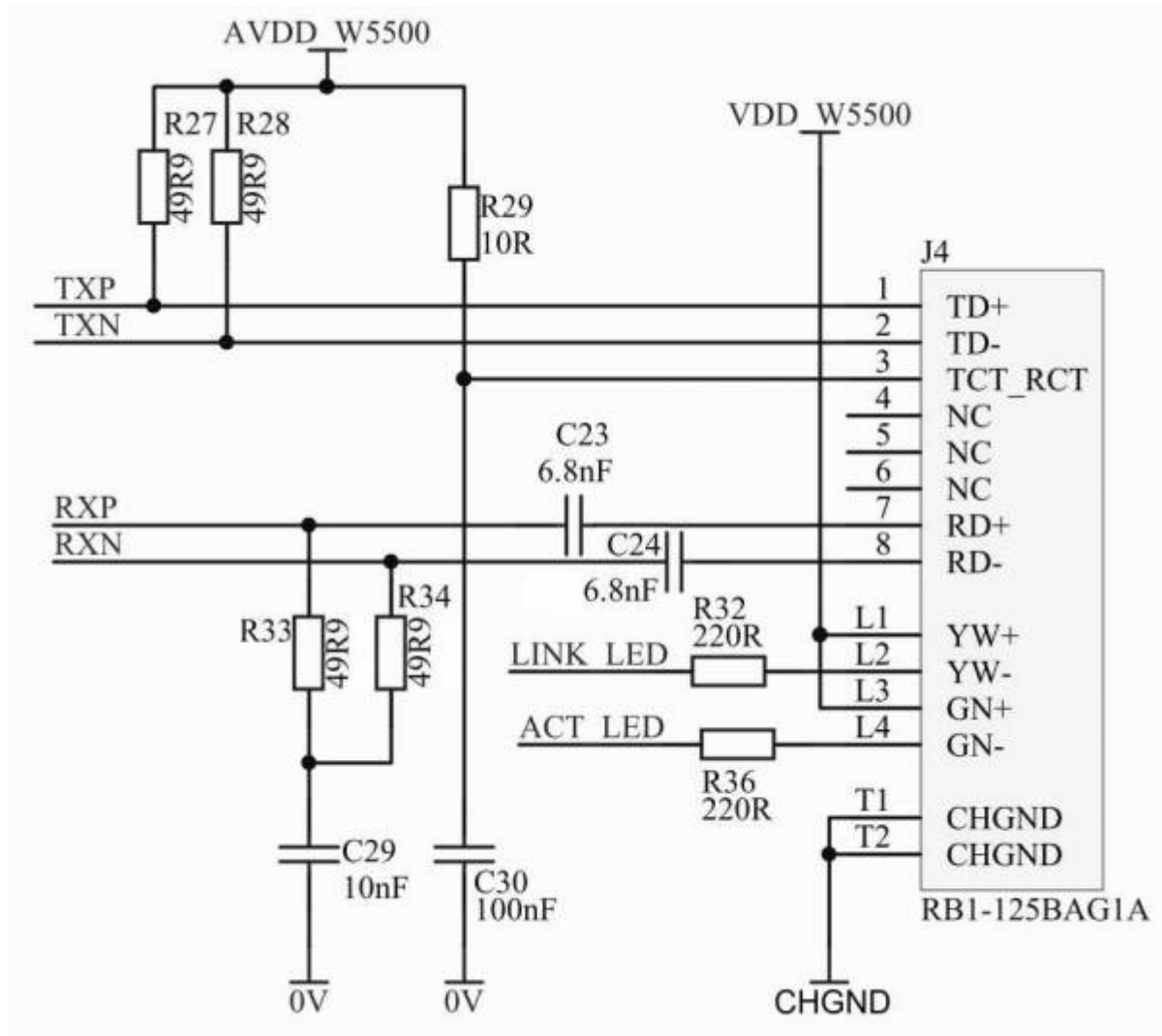
W5500 Ref.Schematic - RJ45 with Transformer



RJ45 with integrated Transformer and connected CT

For using connected CT signals inside the Transformer or inside RJ45 the matching network (2x 50R) of the RX+/- signals must be isolated from CT (3.3V). For that isolation we need C23 and C24. Please refer to the following schematic:

- C23 and C24 must be added. Otherwise, W5500 won't operate well.
- And by connected center tap, Power dissipation may be raised.
- So, you'd better use a MAGJACK without connected center tap except the case that you have to use one with connected center tap.



The RJ45 from UDE (RB1-125BAG1A) is used in many of our **W5100** and **W7100A** related Modules.

Recommended RJ45 using W5500

External Transformer

- H1102NL from Pulse [datasheet](#)
- LCZ3A1CB from CETUS [datasheet](#)

RJ45 with integrated Transformer

- J1B121ZCCD from CETUS [datasheet](#)
- J1B1211CCD from CETUS (used in *1) [datasheet](#)
- RB1-1D5B8K1A from UDE [datasheet](#)
- RB1-125BAG1A from UDE (used in *2) [datasheet](#)
- J0011D21BNL from Pulse [datasheet](#)

*1) we use the J1B1211CCD from CETUS in our **W5500-EVB**, **WIZ550io**, **WIZ550S2E** and **WIZ550web** Modules.

*2) we use the RB1-125BAG1A from UDE in most of our **W5100** & **W7100A** related Plug-In and Serial-to-Ethernet (S2E) Modules.

From:
<http://wizwiki.net/wiki/> -

Document Wiki

Permanent link:

<http://wizwiki.net/wiki/doku.php/products:w5500:refschematic>

Last update: 2015/09/25 10:49

