

Table of Contents

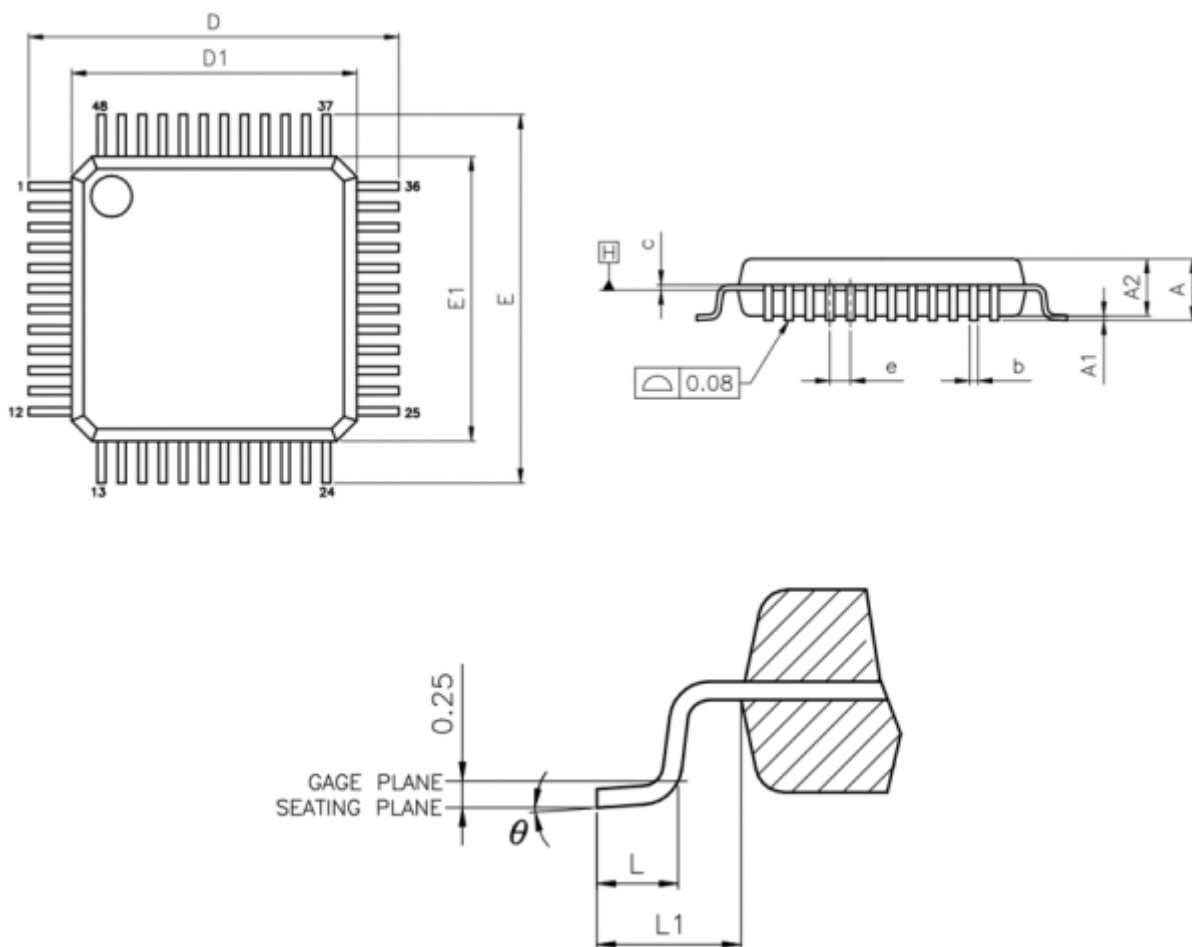
Package Information	1
<i>LQFP48</i>	1
<i>QFN48</i>	2

Package Information

Package information for WIZnet ICs.

LQFP48

- Low-profile Quad Flat Package
- WIZnet Products: W5500, W5100S



SYMBOL	MIN	NOM	MAX
A	-	-	1.60
A1	0.05	-	0.15
A2	1.35	1.40	1.45
b	0.17	0.22	0.27
c	0.09	-	0.20
D	9.00 BSC		
D1	7.00 BSC		
E	9.00 BSC		
E1	7.00 BSC		
e	0.50 BSC		
L	0.45	0.60	0.75
L1	1.00 REF		

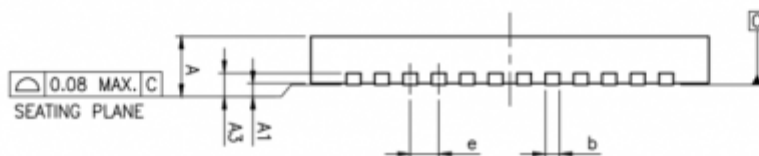
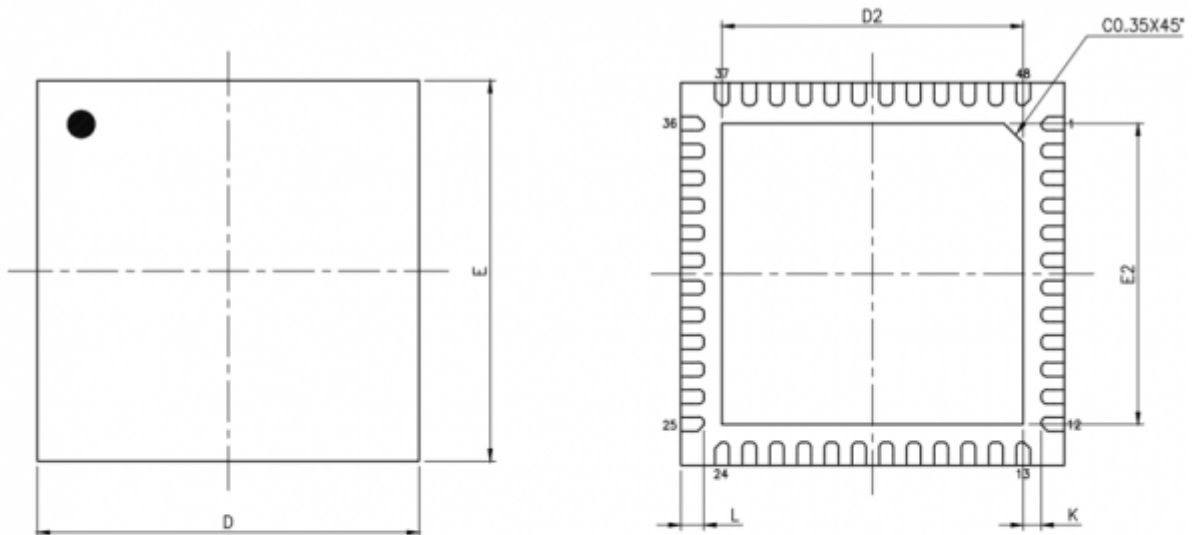
SYMBOL	MIN	NOM	MAX
θ	0°	3.5°	7°

NOTES:

1. ALL DIMENSIONS ARE IN MILLIMETERS.
2. DATUM PLANE H IS LOCATED AT THE BOTTOM OF THE MOLD PARTING LINE COINCIDENT WITH WHERE THE LEAD EXITS THE BODY
3. DIMENSIONS D1 AND E1 DO NOT INCLUDE MOLD PROTRUSION. ALLOWABLE PROTRUSION IS 0.25 mm PER SIDE. DIMENSIONS D1 AND E1 DO INCLUDE MOLD MISMATCH AND ARE DETERMINED AT DATUM PLANE H.
4. DIMENSION b DOES NOT INCLUDE DAMBAR PROTRUSION

QFN48

- Quad Flat package No leads
- WIZnet Products: W5100S



SYMBOL	MIN	NOM	MAX
A	0.70	0.75	0.80
A1	0.00	0.02	0.05
A3	0.203 REF		
b	0.20	0.25	0.30
D	7.00 BSC		
E	7.00 BSC		
e	0.50 BSC		
D2	5.25	5.30	5.35

SYMBOL	MIN	NOM	MAX
E2	5.25	5.30	5.35
L	0.35	0.40	0.45
K	0.20	-	-

NOTES:

1. ALL DIMENSIONS ARE IN MILLIMETERS.
2. DIMENSION B APPLIES TO METALLIZED TERMINAL AND IS MEASURED BETWEEN 0.15mm AND 0.30mm FROM THE TERMINAL TIP. IF THE TERMINAL HAS THE OPTIONAL RADIUS ON THE OTHER END OF THE TERMINAL, THE DIMENSION b SHOULD NOT BE MEASURED IN THAT RADIUS AREA.
3. BILATERAL COPLANARITY ZONE APPLIES TO THE EXPOSED HEAT SINK SLUG AS WELL AS THE TERMINALS.

From:
<https://wizwiki.net/wiki/> -

Document Wiki

Permanent link:
https://wizwiki.net/wiki/doku.php/design_guide:package:start

Last update: 2018/03/09 14:31

