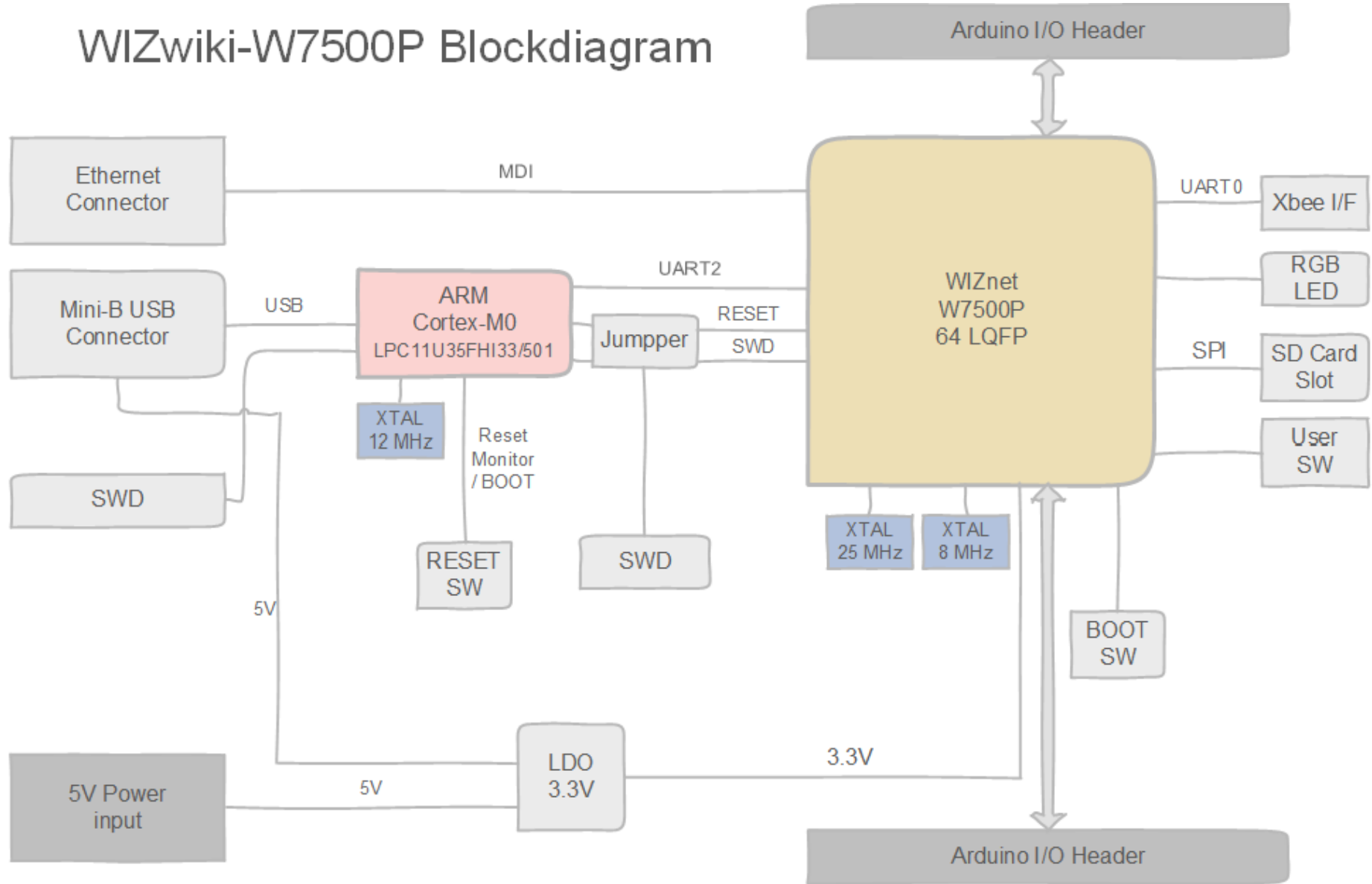
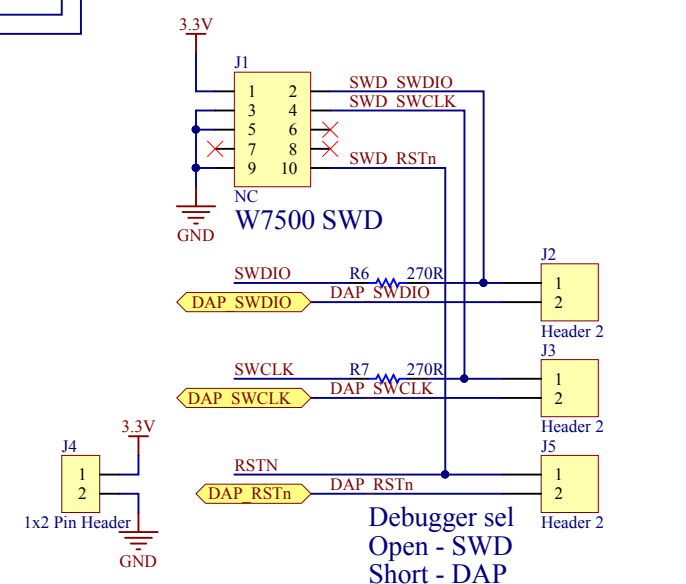
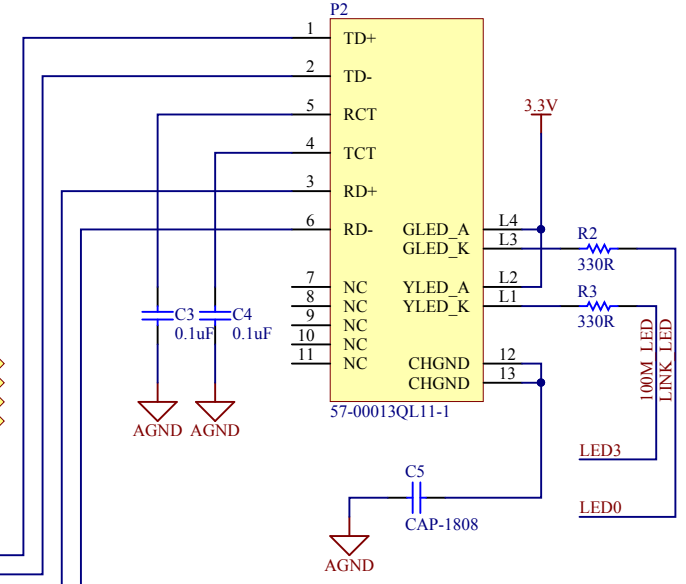
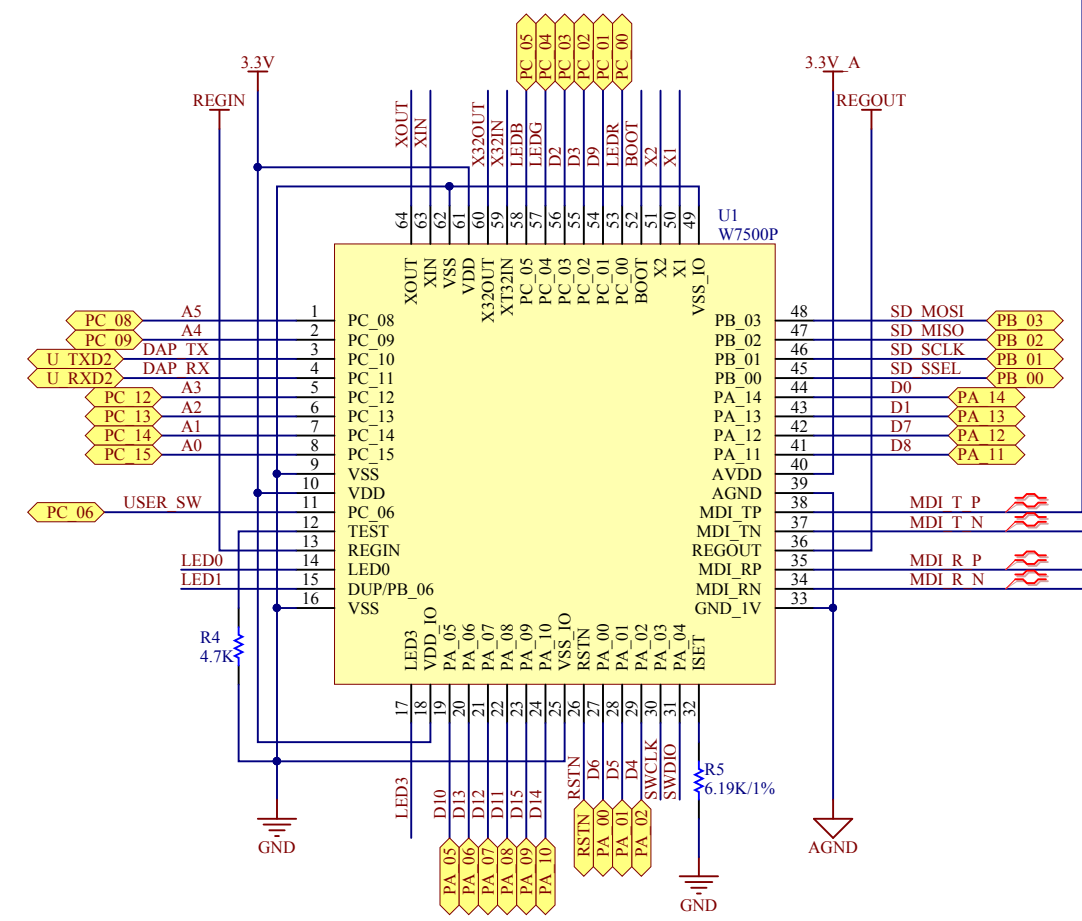
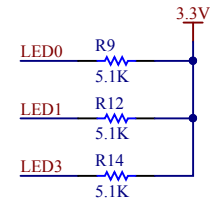
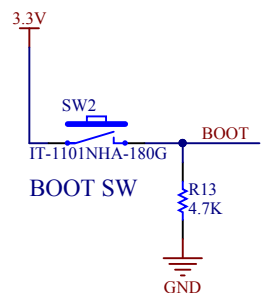
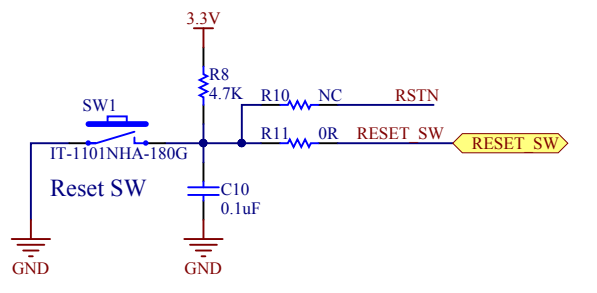
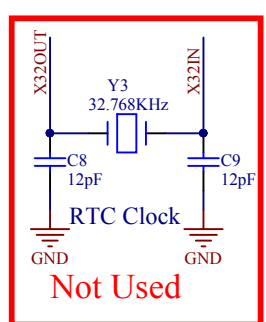
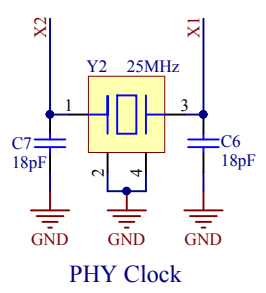
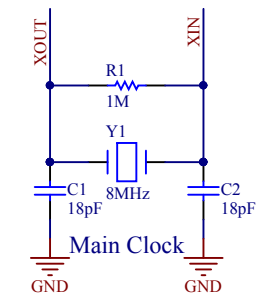


# WIZwiki-W7500P Blockdiagram



Title			<b>WIZwiki-W7500P</b>		
Size	Number	Revision			
A4	<b>W7500P</b>	<b>V1.0</b>			
Date:	2015-09-17	Sheet	of		
File:	D:\01.Work\...\00.Blockdiagram.SchDoc	Drawn By:			



Title		
WIZwiki-W7500P		
Size	Number	Revision
A4	W7500P	V1.0
Date:	2015-09-17	Sheet of
File:	D:\01.Work\..01.W7500P.SchDoc	Drawn By:

A

A

B

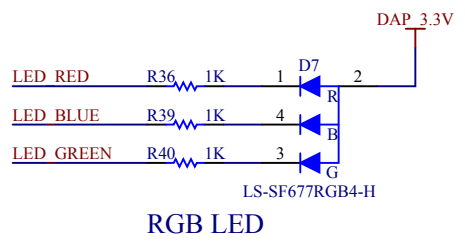
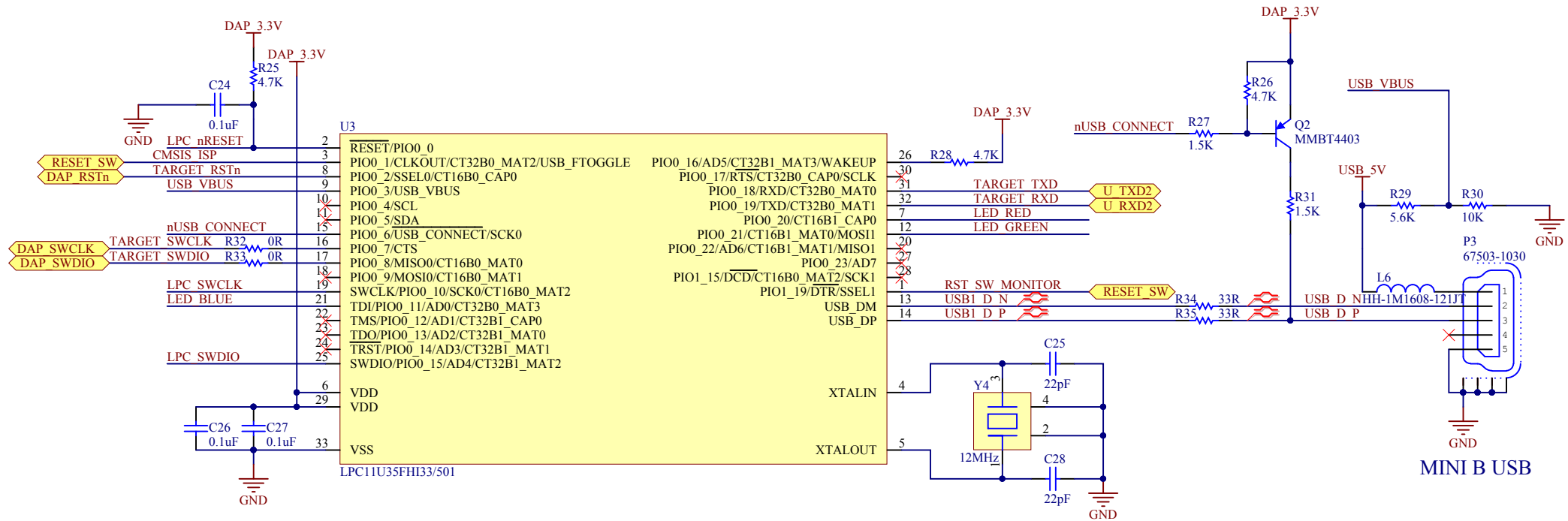
B

C

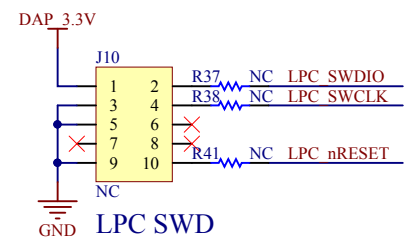
C

D

D

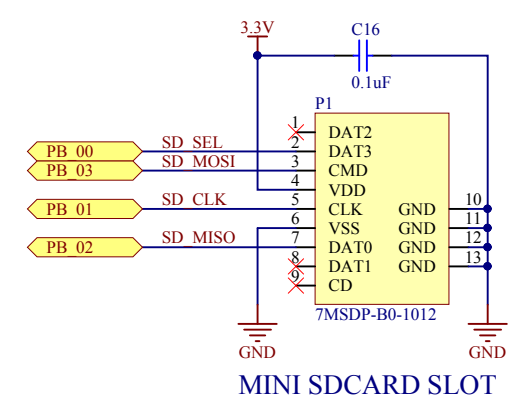
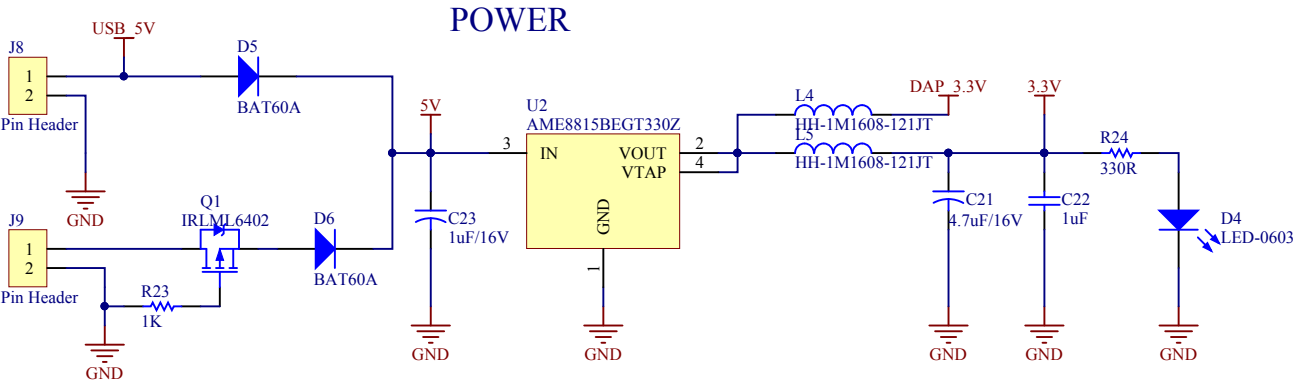
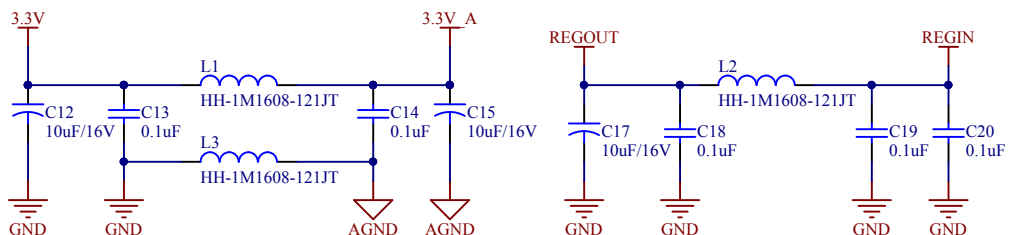
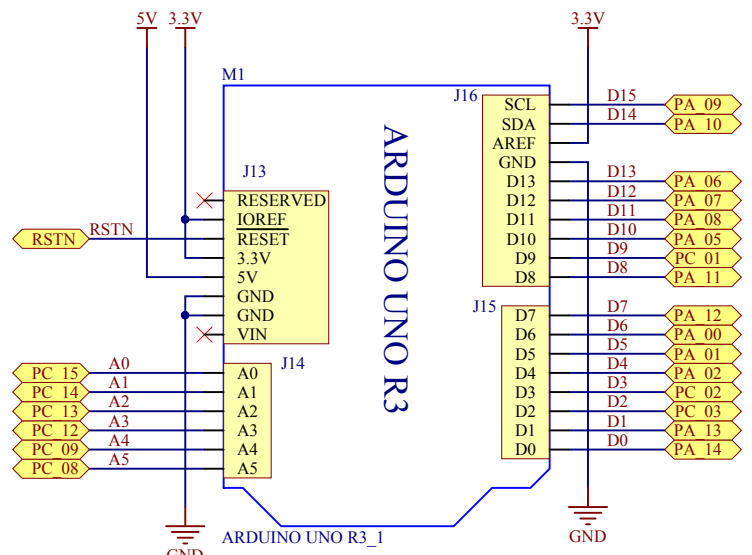
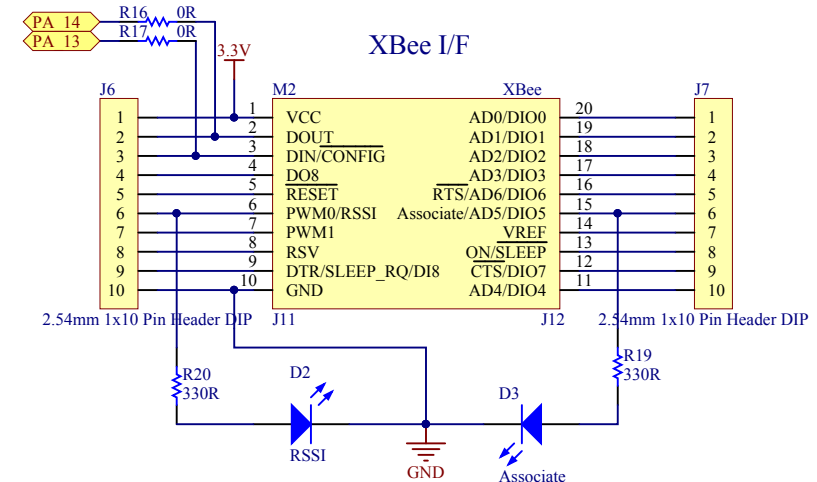
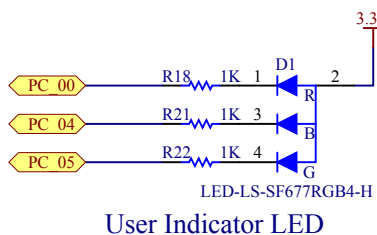
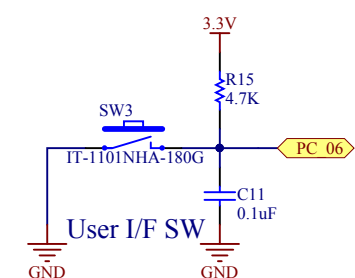


RGB LED



LPC SWD

Title		
<b>WIZwiki-W7500P</b>		
Size	Number	Revision
A4	<b>CMSIS-DAP</b>	<b>V1.0</b>
Date:	2015-09-17	Sheet of
File:	D:\01.Work\...\02.CMSIS-DAP.SchDoc	Drawn By:



Title		
<b>WIZwiki-W7500P</b>		
Size	Number	Revision
A4	<b>ETC</b>	<b>V1.0</b>
Date:	2015-09-17	Sheet of
File:	D:\01.Work\...\03.ETC.SchDoc	Drawn By: