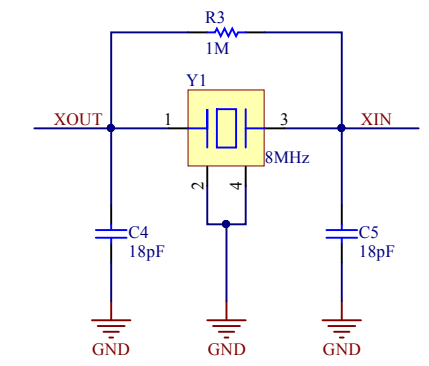
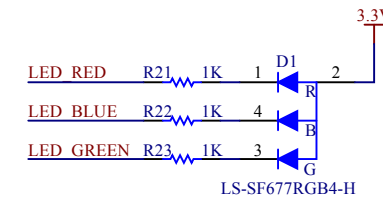
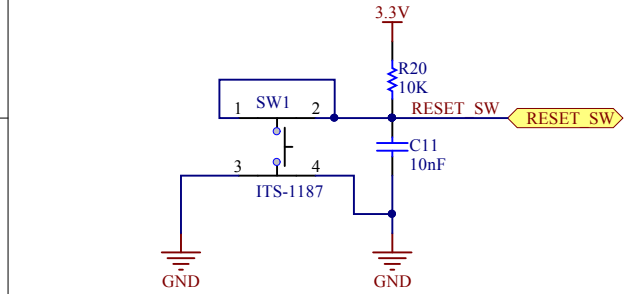
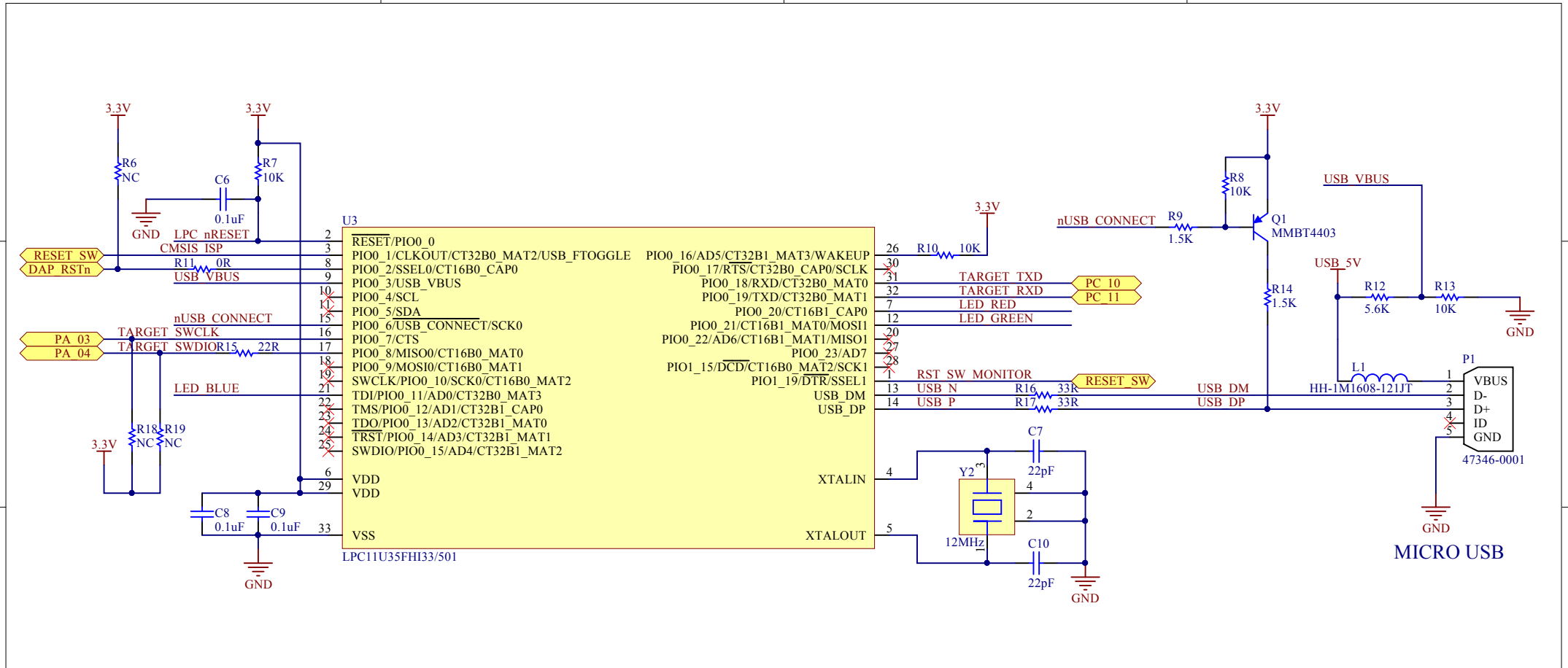


EEPROM

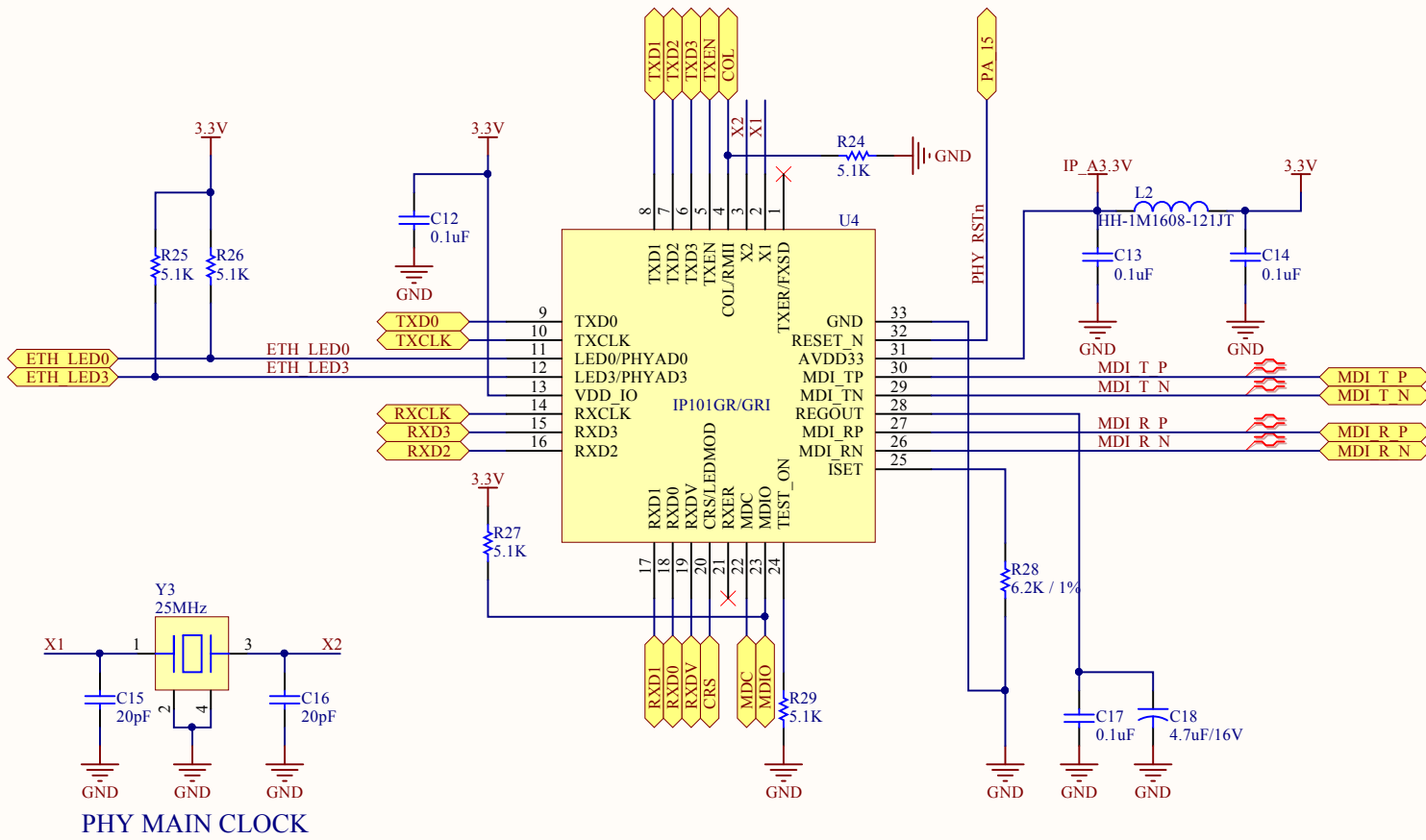


MAIN CLOCK

Title		
<b>WIZwiki-W7500eco</b>		
Size	Number	Revision
A4	<b>W7500</b>	<b>V1.1</b>
Date:	2015-08-26	Sheet of
File:	E:\Work\...\01_W7500.SchDoc	Drawn By: Peter-TeamWiki



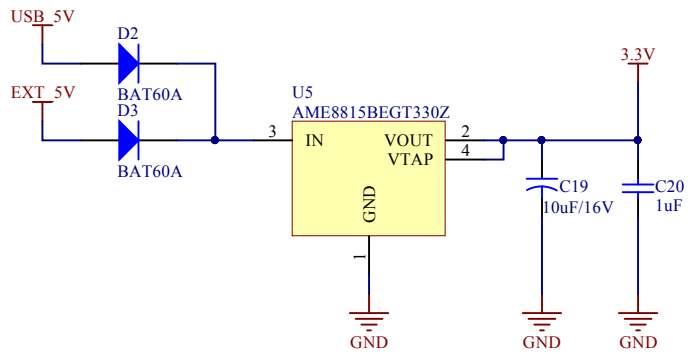
Title			
<b>WIZwiki-W7500eco</b>			
Size	Number	Revision	
A4	<b>CMSIS DAP</b>	<b>V1.1</b>	
Date:	2015-08-26	Sheet of	
File:	E:\Work\...\02 CMSIS-DAP.SchDoc	Drawn By: Peter-TeamWiki	



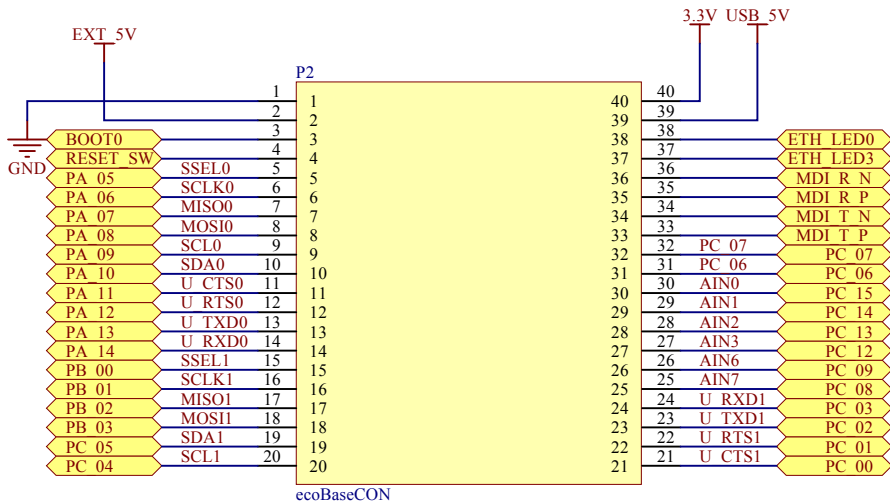
T\_P,T\_N의 길이가 같아야 합니다.

R\_P,R\_N의 길이가 같아야 합니다.

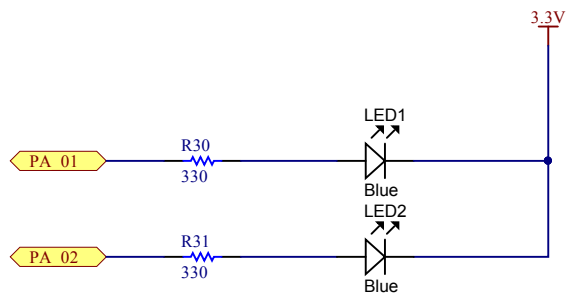
Title			
<b>WIZwiki-W7500eco</b>			
Size	Number	Revision	
A4	<b>IP101GR-GRI</b>	<b>V1.1</b>	
Date:	2015-08-26	Sheet of	
File:	E:\Work\...\03_IP101GR-GRI.SchDoc	Drawn By: Peter-TeamWiki	



**POWER**



**EXTERNAL CONNECTOR**



**INDICATOR**

Title			WIZwiki-W7500eco		
Size	Number	Revision			
A4	EXTERNAL PINOUT	V1.1			
Date:	2015-08-26	Sheet of			
File:	E:\Work\...\04_ETC.SchDoc	Drawn By:		Peter-TeamWiki	