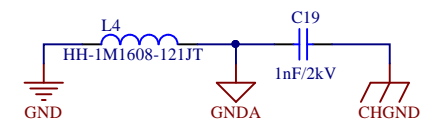
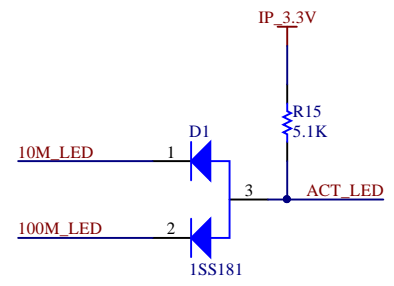
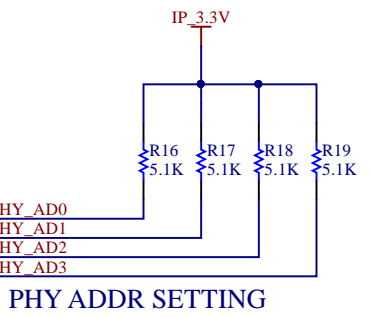
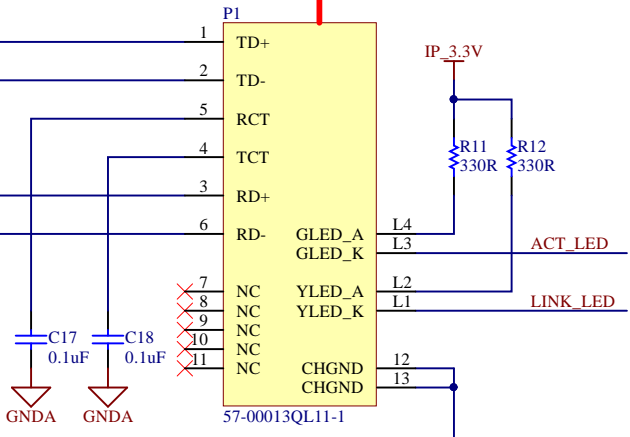
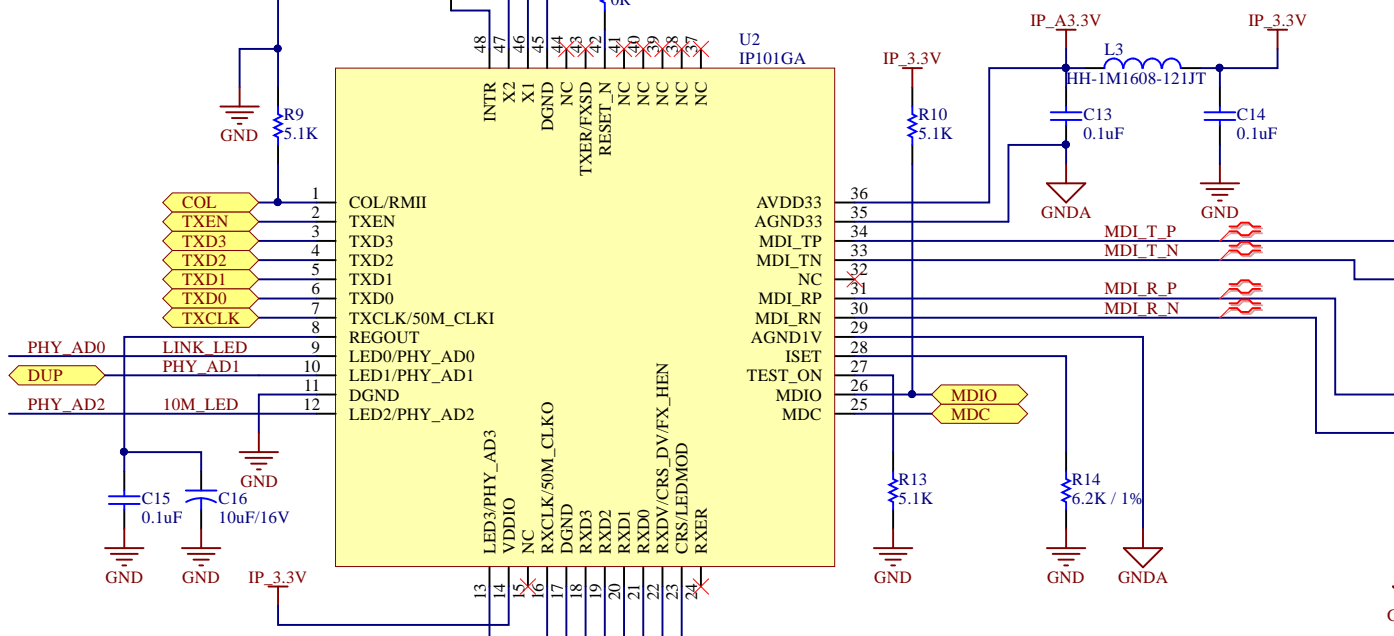
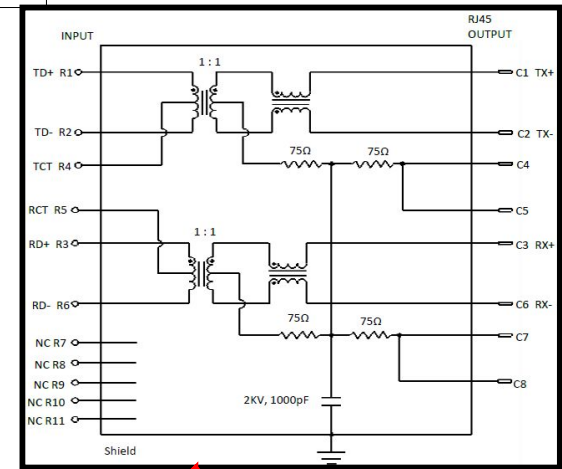
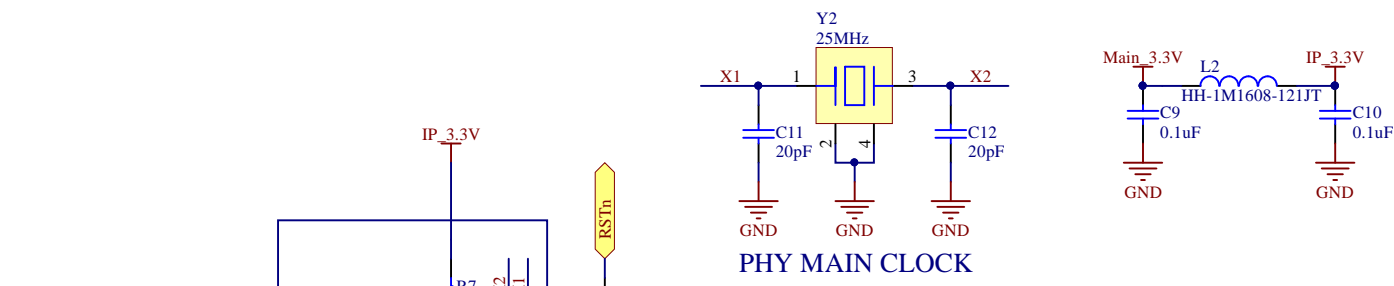


Title		
W7500 Reference Schematic		
Size	Number	Revision
A4	W7500	V1.1
Date:	2016-06-13	Sheet of
File:	D:\01.Work\...\01.W7500.SchDoc	Drawn By:



Title		
W7500 Reference Schematic		
Size	Number	Revision
A4	IP101GA	V1.1
Date:	2016-06-13	Sheet of
File:	D:\01.Work\...\02.IP101GA.SchDoc	Drawn By: