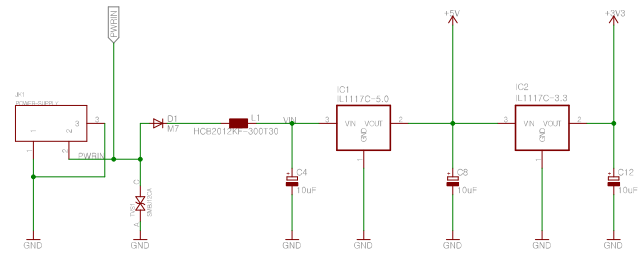
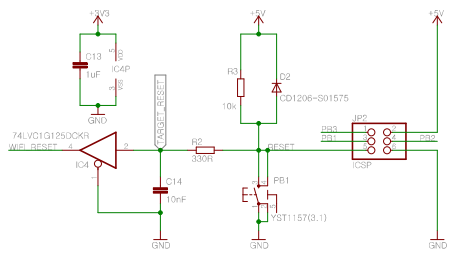


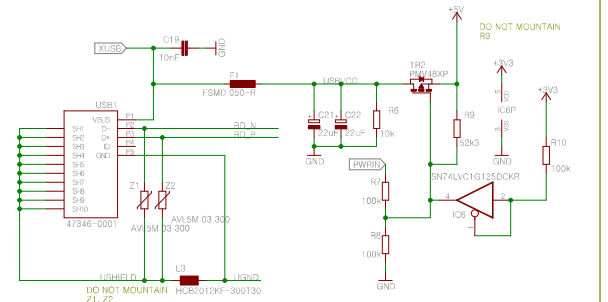
Power



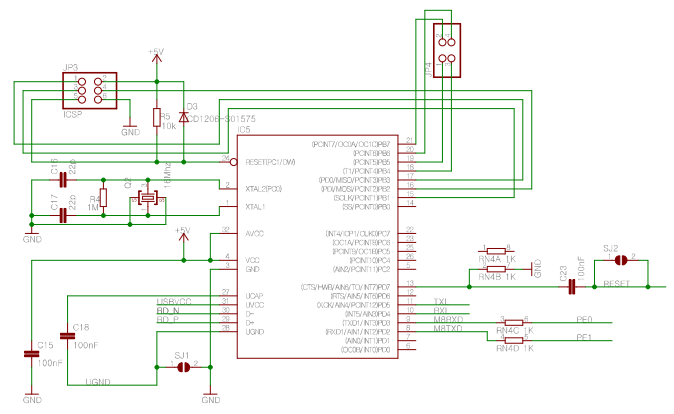
Reset



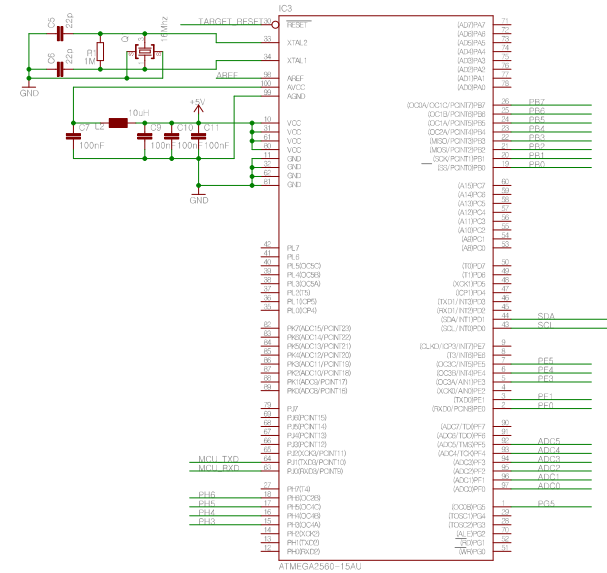
USB



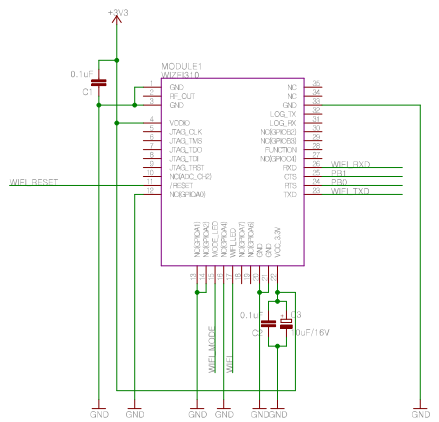
USB to UART (ATmega 16U2)



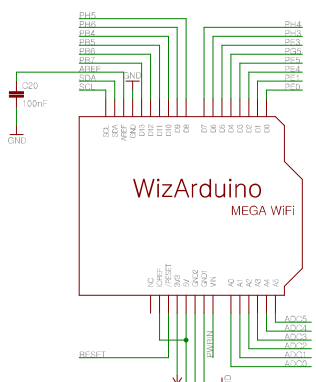
MCU (Atmega 2560)



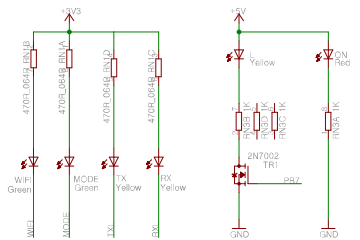
WiFi



Board



LED



Jumper (WiFi-MCU)

