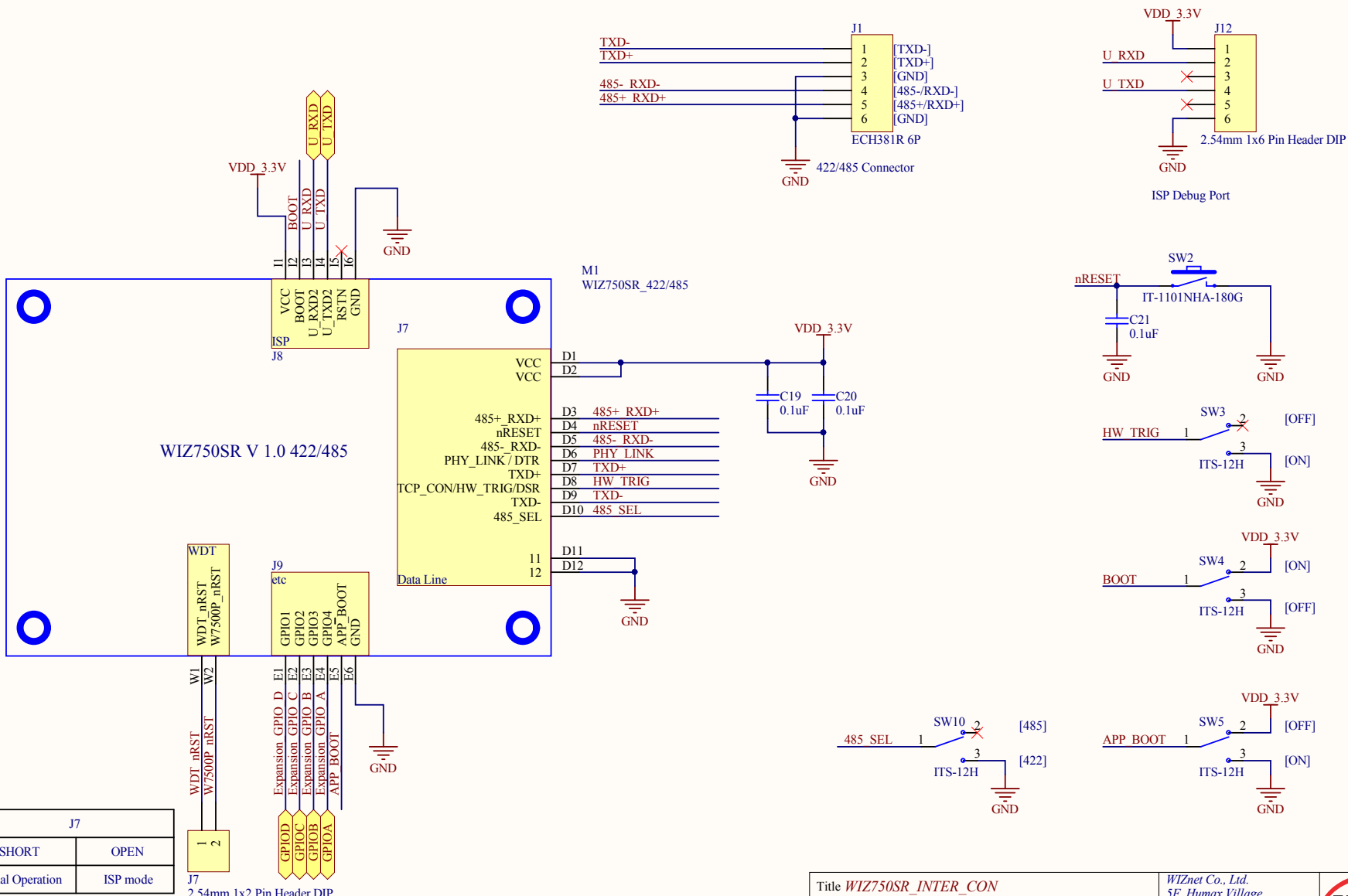


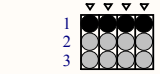
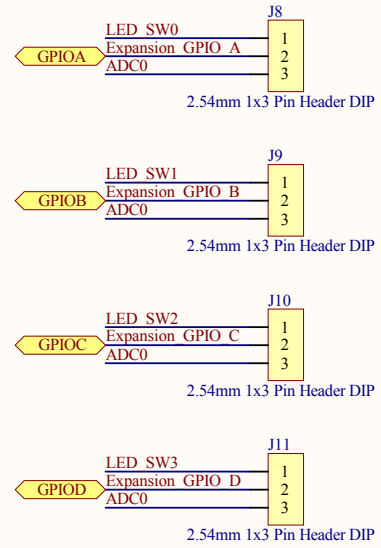
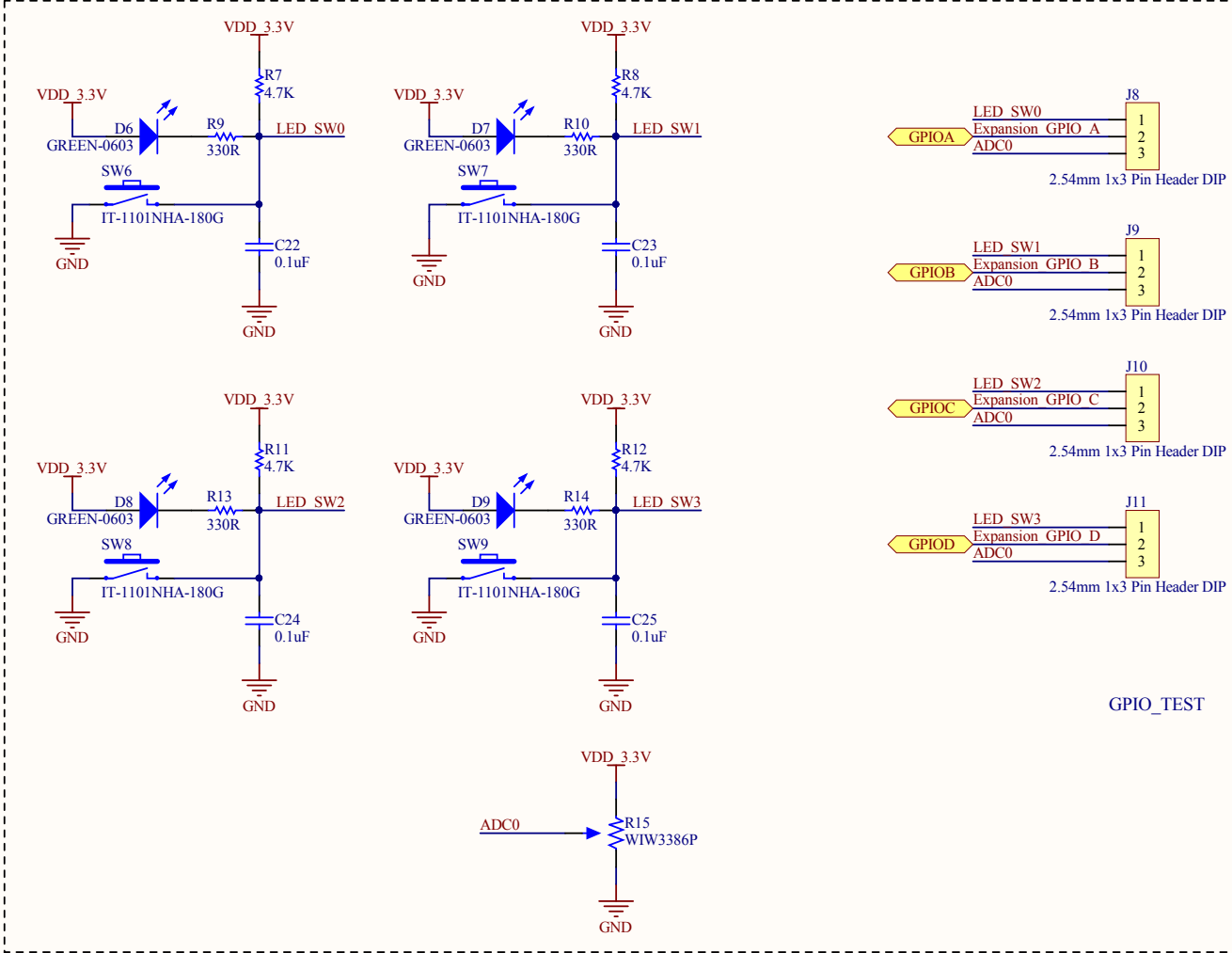
Title WIZ750SR_INTER_PWR_USB		WIZnet Co., Ltd. 5F, Humax Village Hwangseoul-ro, Bundang-gu Seongnam-si, Gyeonggi-do South Korea	
Size: A4	Number:	Revision: V0.1	
Date: 5/4/2016	Sheet 1 of 3		
Team: Team Wiki	Drawn By: Edward		



J7	
SHORT	OPEN
Normal Operation	ISP mode

J7
2.54mm 1x2 Pin Header DIP

Title <i>WIZ750SR_INTER_CON</i>		WIZnet Co., Ltd. 5F, Humax Village Hwangseaul-ro, Bundang-gu Seongnam-si, Gyeonggi-do South Korea		
Size: A4	Number:	Revision: V0.1		
Date: 5/4/2016	Team: Team Wiki		Sheet 2 of 3	
Drawn By: Edward				



J8, J9, J10, J11		
Pin No.	Digital I/O	Analog I/O
1-2	SHORT	
2-3		SHORT

GPIO_TEST

Title <i>WIZ750SR_INTER_ETC</i>		WIZnet Co., Ltd. 5F, Humax Village Hwangseaul-ro, Bundang-gu Seongnam-si, Gyeonggi-do South Korea		
Size: A4	Number:	Revision: V0.1	Sheet 3 of 3	
Date: 5/4/2016				
Team: Team Wiki		Drawn By: Edward		