

Table of Contents

WIZ750SR Series Downloads	1
Download Firmware	1
Binary Images	1
Boot V1.2	2
Boot V1.3	2
Boot V1.2	2
Boot V1.3	3
Source code	5
WIZnet S2E Configuration Tool	8
W7500(P) ISP Tool	10
WIZ VSP	11
Navigation	22

WIZ750SR Series Downloads

Supported Languages

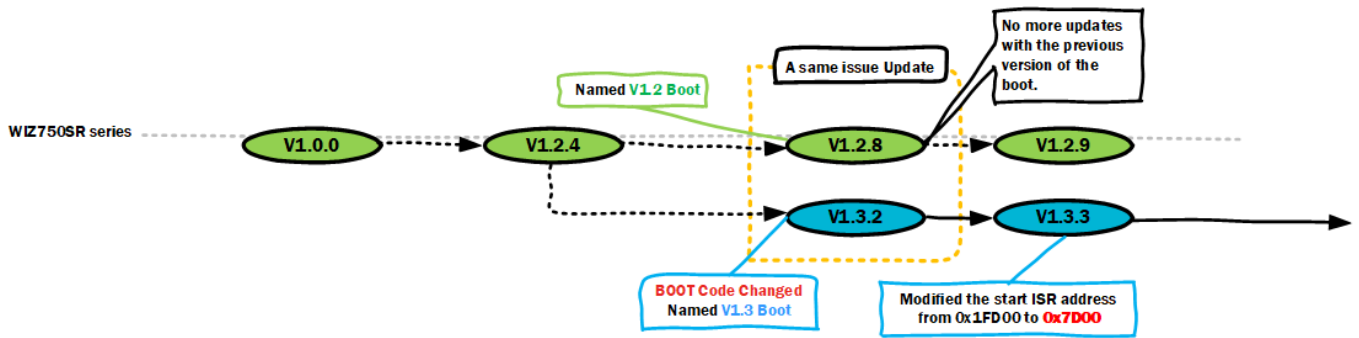
- English only

Download Firmware

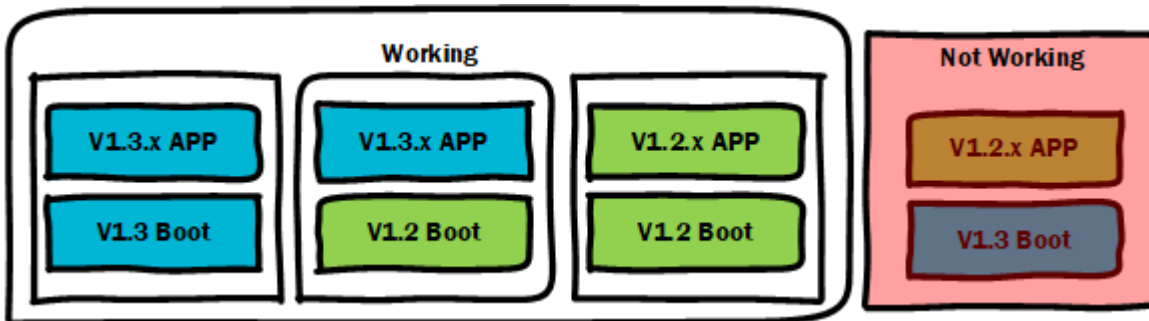
Binary Images

* Latest application Firmware binary image for update using **configuration tool**
 (Older versions can be found in the [WIZ750SR Github repository](#))

For users prior to v1.2.0, the device must be updated using all(boot+app) version firmware & WIZISP first.



- With **F/W Ver 1.2.9 and lower than**, Boot copies Application ISR address map into Boot ISR address region to merge two binary codes. We eliminated copying Application ISR address map into Boot ISR address region, and raised **F/W Ver to 1.3.x**.



Please check the Boot code version before updating F/W with another one

- V1.2 Boot + V1.2.x App : Working
- V1.2 Boot + V1.3.x App : Working
- V1.3 Boot + V1.3.x App : Working
- V1.3 Boot + V1.2.x App : **Not Working.**

WIZ750SR

- WIZ750SR-TTL
- WIZ750SR-232
- WIZ750SR-485
- **W7500P-S2E**

Boot V1.2

**Application Firmware Binary
(ConfigTool)**
Application v1.2.9

**All(boot+app) Firmware Binary
(WIZISP)**

- WIZ750SR-100
- WIZ750SR-105
- WIZ750SR-110
- **W7500-S2E** All v1.2.9

Boot V1.3

**Application Firmware Binary
(ConfigTool)**
Application v1.3.3

**All(boot+app) Firmware Binary
(WIZISP)**

All v1.3.3

**WIZ
750
SR-
100
Series**

**Bo
ot
V1
.2**

**Ap
pli
ca
ti
on
Fir
mw
are
Bin
ary
(Co
nfi
gT
ool
)**

App
lica
tion
v1.
2.9

**All(
bo
ot+
ap
p)
Fir
mw
are**

Binary (WIZIP)

All v1.2.9

Boot V1.3

Application Firmware Binary (ConfigTool)

Application v1.3.3

All (boot+app) Firmware Binary (WIZIP)

All v1.

**WIZ
752
SR
Series**

- W
I
Z
7
5
2
S
R
-
1
2
0

- W
I
Z
7
5
2
S
R
-
1
2
5

**Ap
plic
ati
on
Fir
mw
are
Bin
ary
(Co
nfi
gTo
ol)**

App
licat
ion

v2.
1.0

All(
boo
t+a
pp)
Fir
mw
are
Bin
ary
(WI
ZIS
P)

All
v2.
1.0

So
urc
e
co
de

WIZ
750
SR
Seri
es
Fir
mw
are
sou
rce
cod
e
link

WI
Z75
0S
R
Seri
es
Git
Hu
b
Re
pos

- The above link is an integrated firmware project

t
(
M
D
K
-
A
R
M
)
,
s
r
e
p
o
s
i
t
o
r
y
o
f
W
I
Z
7
5
0
S
R
a
n
d
W
I
Z
7
5
0
S
R
-
1
0
0
s
e
r
i
e
s
.

**WIZ
752
SR
Series
Firmware
source
code
link**

**WIZ
752
SR
Series
GitHub
Repository**
<https://github.com/Wiznet/WIZ752SR-12x>

**W
IZ
net
S2
E**

Configuration Tool

• [S E C O N F I G U R A T I O N T O O L M A N U A L \(N E W \)](#)



Download the latest

**est
ver
sio
n**

<https://github.com/Wiznet/WIZnet-S2E-Tool-GUI/releases>

**Git
Hu
b
Re
pos
itor
y**

<https://github.com/Wiznet/WIZnet-S2E-Tool-GUI>

**W
75**

**00
(P
)
IS
P
To
ol**

[Go to ISP tool manual & Program download](#)

**W
IZ
V
S
P**

- WIZVSP (WIZnet



V
i
r
t
u
a
l
S
e
r
i
a
l
C
O
M
p
o
r
t
)
i
s
t
h
e
s
o
f
t
w
a
r
e
f
o
r
t
h
o
s
e
u
s
e
r
s
w
h
o
w
a
n
t
t
o

u
s
e
t
h
e
e
x
i
s
t
i
n
g
a
p
p
l
i
c
a
t
i
o
n
p
r
o
g
r
a
m
s
b
a
s
e
d
o
n
s
e
r
i
a
l
c
o
m
m
u
n
i
c
a
t

i
o
n
.
F
o
r
m
o
r
e
d
e
t
a
i
l
e
d
i
n
f
o
r
m
a
t
i
o
n
,
p
l
e
a
s
e
v
i
s
i
t
t
h
e
f
o
l
l
o
w
i
n
g
l
i

n
k
a
n
d
s
e
e
t
h
e
b
o
t
t
o
m
o
f
t
h
e
p
a
g
e
.

• W
I
Z
n
e
t
V
i
r
t
u
a
l
S
e
r
i
a
l
P
o
r
t
:
I
t
c
a

n
b
e
u
s
e
d
t
o
c
h
a
n
g
e
t
h
e
d
e
v
i
c
e
t
h
a
t
i
s
c
o
n
n
e
c
t
e
d
t
o
t
h
e
P
C
t
h
r
o
u
g
h
t
h
e

e
x
i
s
t
i
n
g
s
e
r
i
a
l
i
n
t
e
r
f
a
c
e
t
o
c
o
n
t
r
o
l
b
y
t
h
e
r
e
m
o
t
e
E
t
h
e
r
n
e
t
n
e
t
w
o

r
k
.
•
I
f
y
o
u
a
g
r
e
e
w
i
t
h
t
h
e
E
n
d
U
s
e
r
L
i
c
e
n
s
e
A
g
r
e
e
m
e
n
t
f
o
r
W
I
Z
V
S
P
,
y
o

u
w
i
l
l
b
e
a
b
l
e
t
o
d
o
w
n
l
o
a
d
t
h
e
p
r
o
g
r
a
m
a
n
d
g
e
t
a
r
e
g
i
s
t
r
a
t
i
o
n
k
e
y
.
W
h

e
n
r
e
g
i
s
t
e
r
i
n
g
t
h
e
p
r
o
d
u
c
t
w
i
t
h
l
i
c
e
n
s
e
a
g
r
e
e
m
e
n
t
,
t
h
e
M
A
C
a
d
d
r
e
s

s
o
f
t
h
e
p
r
o
d
u
c
t
i
n
u
s
e
a
n
d
t
h
e
E
m
a
i
l
a
d
d
r
e
s
s
o
f
t
h
e
c
o
n
t
a
c
t
p
e
r
s
o
n
a
r

e
r
e
q
u
i
r
e
d
.

Go
to
WIZ
VSP
end
use
r
lice
nse
agr
ee
me
nt
pag
e:
[http://
wiz
vsp
.wiz
net.
io](http://wizvsp.wiznet.io)

N
av
ig
at
io
n

↑
Scr
oll
to
Top



**Bac
k
to
Pro
duc
t
Mai
n**
[WIZ
750
SR](#)



**Bac
k
to
Pro
duc
t
Mai
n**
[WIZ
750
SR-
100](#)



**Bac
k
to
Pro
duc
t
Mai
n**
[WIZ
750
SR-
105](#)



**Bac
k
to
Pro
duc
t
Mai
n**
[WIZ
750](#)

WIZ750SR series Common Documents

- [User's Manual](#)
- [Device Command Manual](#)
- [...](#)

W
I
Z
7
5
0
S
R
I
n
d
i
v
i
d
u
a
l
d
o
c
u
m
e
n
t
s

WI
Z7
50
SR-
10
0
Ind
ivi
du
al
doc
um
ent
s

• W
I
Z
7
5
0
S
R
-
1
0
0
P
r
o
d
u
c
t
O
v
e
r
v
i
e
w
• W
I
Z
7
5
0

- [WIZ750SR - 105 Product Overview](#)

- [WIZ750SR - 105 Getting in](#)

W
I
Z
7
5
0
S
R
-
1
1
0
I
n
d
i
v
i
d
u
a
l
d
o
c
u
m
e
n
t
s

From:
<http://wizwiki.net/wiki/> -

Document Wiki

Permanent link:
<http://wizwiki.net/wiki/doku.php/products:wiz750sr:download:start>

Last update: 2019/12/16 15:16

